

Receiver

 Company
 Reference
 Address
 Phone
 Fax
 E-mail

Item n° : Customer pos. no.:

 60215285
 Model :
 CP2 50-1100/P/BQQE/0.8 3x230/400 50 IE3

Pump data

 Pressure rating : PN10, PN16
 Min. fluid temperature : -15 °C
 Max. fluid temperature : 140 °C
 Max. Ambient temperature : 50 °C

Requested data

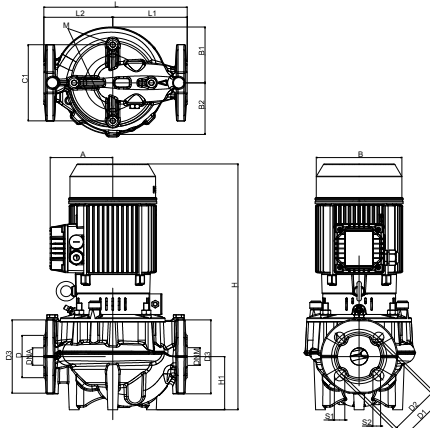
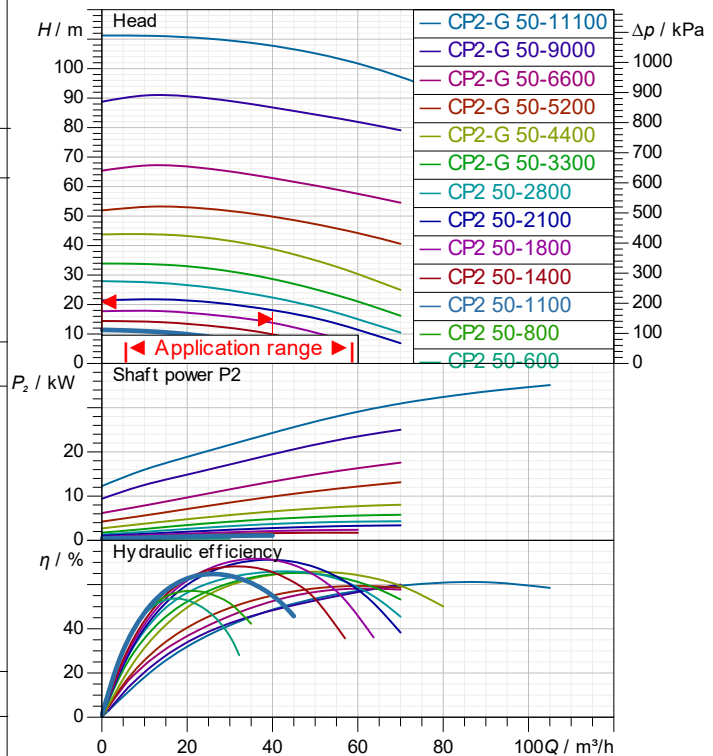
 Flow :
 Head :
 Fluid (%) :
 Fluid Temperature : 20 °C
 Density : 998.3 kg/m³
 Kinematic viscosity : 1.005 mm²/s
 Vapor pressure : 2.34 kPa

Hydraulic data (duty point)

 Flow :
 Head :
 NPSH :
 Shaft power P₂ :
 Efficiency :

Materials

 Pump body : Cast iron (EN GJL 250)
 Support : Cast iron (EN GJL 250)
 Impeller : Ultrason E 2010
 Mechanical seal : Spring AISI 316 - SiC/SiC - EPDM
 O-Ring : EPDM Rubber
 Shaft with rotor : AISI 316

Curve tolerance according to ISO 9906

Weight : 28.2 kg

Motor data

 Nominal power P₂ : 0.8 kW
 Rated speed : 2910 1/min
 Rated voltage : 3~ 400 V 50 Hz
 Nominal current : 2.4 A
 Degree of protection : IPX5

Dimensions in mm

A	110	D3	165	M	10
B	143	DNA	50	S1	23.3
B1	112.3	DNM	50	S2	18
B2	96	H	415		
C1	100	H1	73		
D	90	L	280		
D1	125	L1	140		
D2	110	L2	140		

Pump connection

 Suction side : DN 50 / PN10, PN16
 Discharge side : DN 50 / PN10, PN16



PERFORMANCE CURVES

2026-05-21

Page 2 / 3

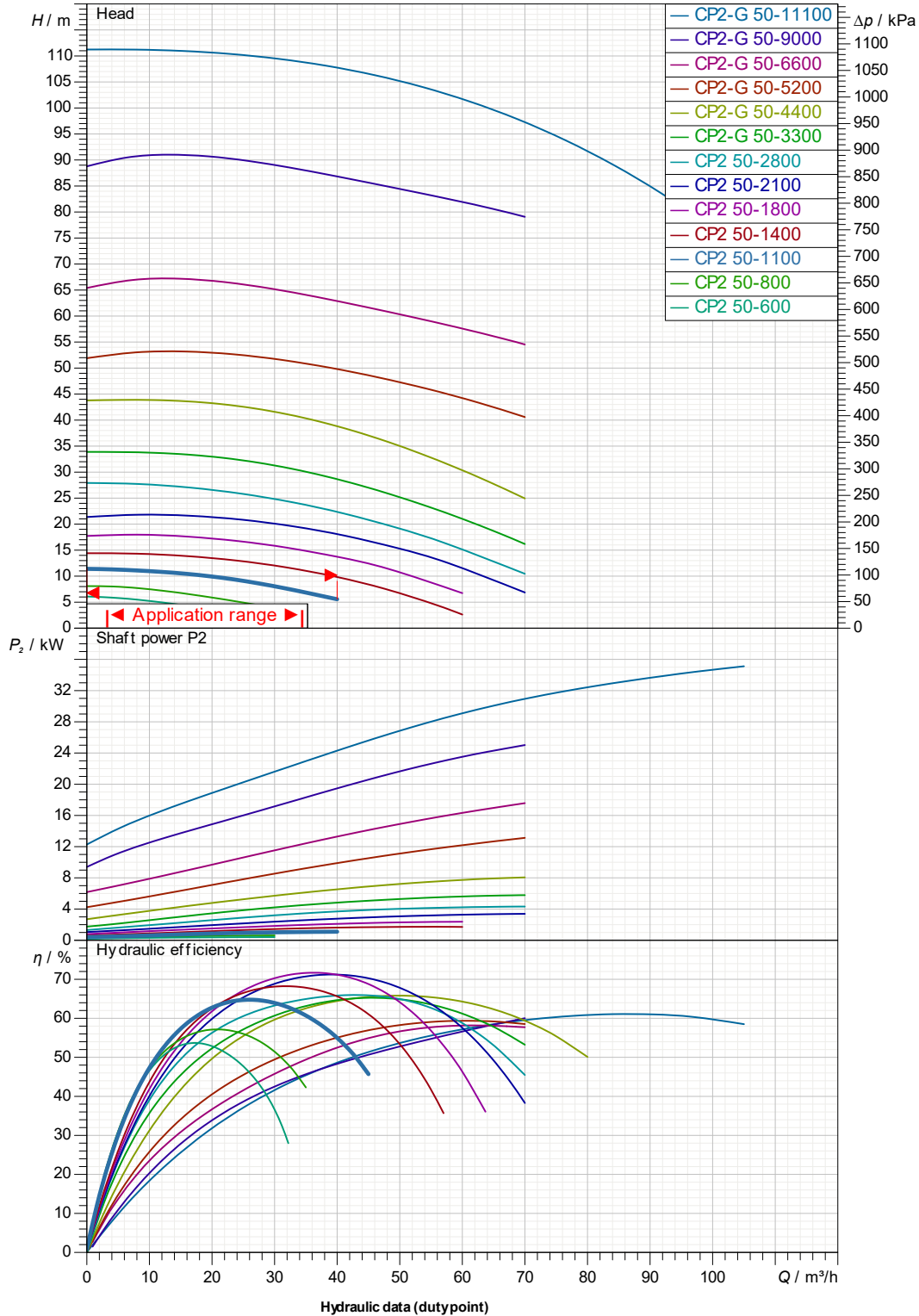
DAB PUMPS S.p.A.
Via Marco Polo, 14 - 35035 Mestrino (PD), Italy
Tel. +39 049 5125000 - Fax +39 049 5125950
www.dabpumps.com

Receiver

Company
Reference
Address
Phone
Fax
E-mail

CP2 50-1100/P/BQQE/0.8 3x230/400 50 IE3

Curve tolerance according to ISO 9906



Suction side :
DN 50
PN10, PN16

Discharge side :
DN 50
PN10, PN16

Flow :

Head :

Rated speed :
2910 1/min

MAIN_PROJECT_TITLE

BUSINESS_PROCESS_ID

OWNER_

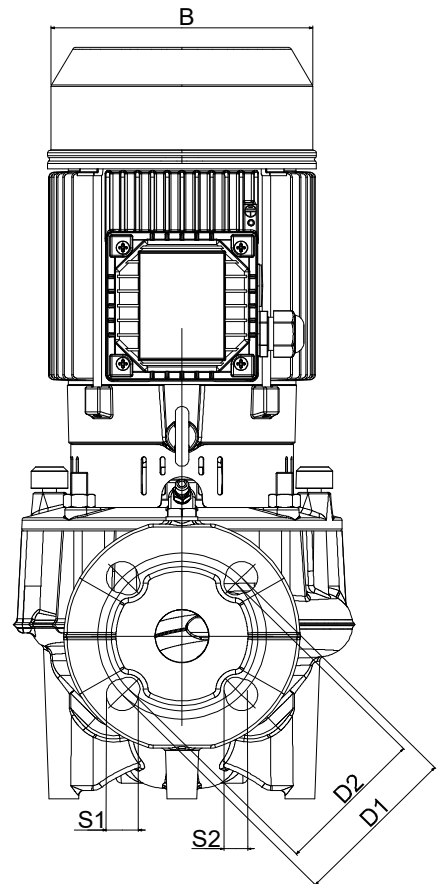
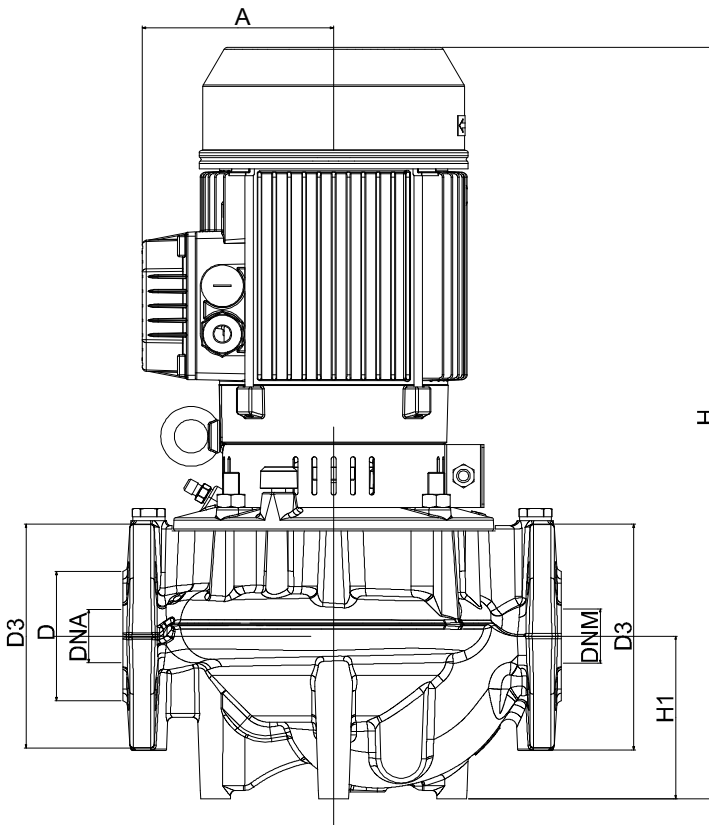
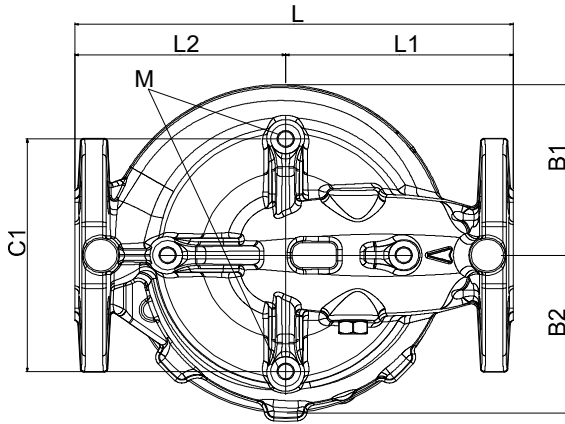
ISSUE_DATE

2026-05-21

Receiver

Company
 Reference
 Address
 Phone
 Fax
 E-mail

CP2 50-1100/P/BQQE/0.8 3x230/400 50 IE3



Dimensions in mm					Pump connection
1	A	110	H	415	Suction DN 50 PN10, PN16 Discharge DN 50 PN10, PN16
2	B	143	H1	73	
3	B1	112.3	L	280	
4	B2	96	L1	140	
5	C1	100	L2	140	
6	D	90	M	10	
7	D1	125	S1	23.3	
8	D2	110	S2	18	
9	D3	165			
10	DNA	50			
11	DNM	50			

MAIN_PROJECT_TITLE	BUSINESS_PROCESS_ID	OWNER_	ISSUE_DATE 2026-05-21
--------------------	---------------------	--------	---------------------------------