



PERFORMANCE CURVES

2026-04-15

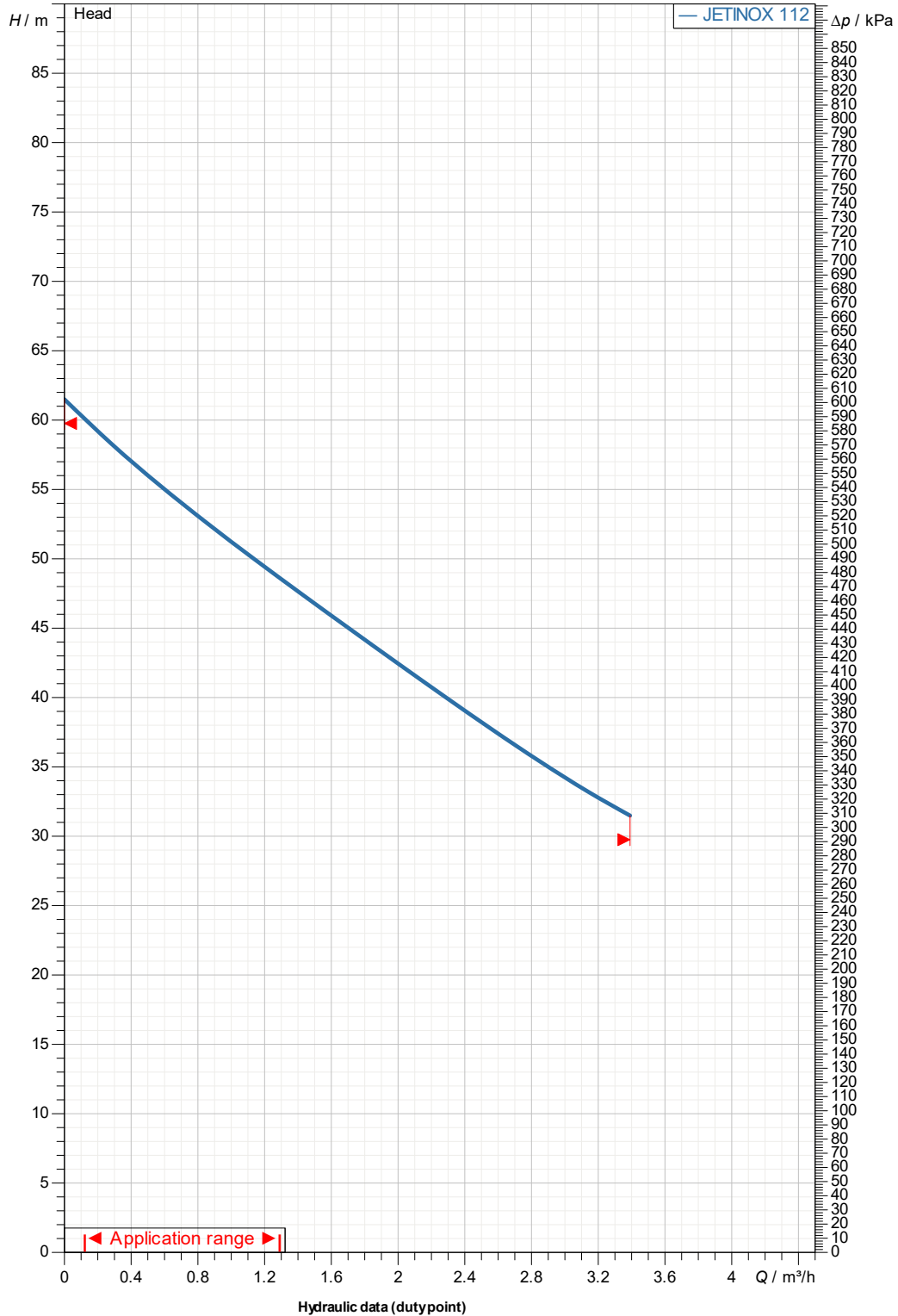
Page 2 / 3

DAB PUMPS S.p.A.
Via Marco Polo, 14 - 35035 Mestrino (PD), Italy
Tel. +39 049 5125000 - Fax +39 049 5125950
www.dabpumps.com

Receiver

Company
Reference
Address
Phone
Fax
E-mail

Jet Inox 112 1x230 50 IE2 No Cable
Curve tolerance according to ISO 9906



Suction side :
1" G
800 kPa

Discharge side :
1" G
800 kPa

Flow :

Head :

Rated speed :
2850 1/min

Project

Project ID

Created by

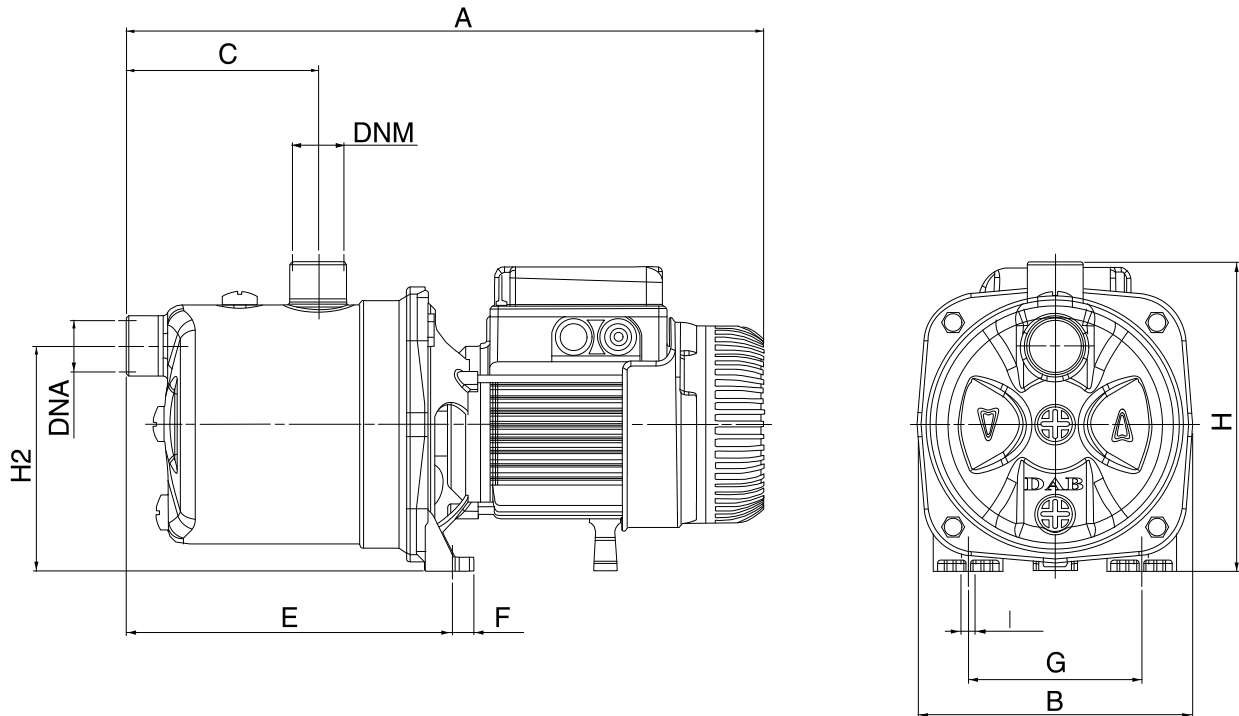
Created on

2026-04-15

Receiver

Company
 Reference
 Address
 Phone
 Fax
 E-mail

Jet Inox 112 1x230 50 IE2 No Cable


Dimensions in mm
Pump connection

1	A	424					
2	B	174					Suction
3	C	122					1" G
4	DNA	1" G					800 kPa
5	DNM	1" G					
6	E	207					Discharge
7	F	14					1" G
8	G	111					800 kPa
9	H	197					
10	H2	144					
11	I Ø	9					

Project

Project ID

Created by

Created on

2026-04-15