

Receiver

Company
Reference
Address
Phone
Fax
E-mail

Item n° : 60219357H
Customer pos. no.:

Model :
FEKA VS 550 T - NA

Pump data

Free passage : 50 mm
Pressure rating :
Min. fluid temperature : 0
Max. fluid temperature : 50 °C
Max. Ambient temperature : 40 °C

Requested data

Flow :
Head :
Fluid : Water
Fluid Temperature : 20 °C
Density : 998.3 kg/m³
Kinematic viscosity : 1.005 mm²/s
Vapor pressure : 2.34 kPa

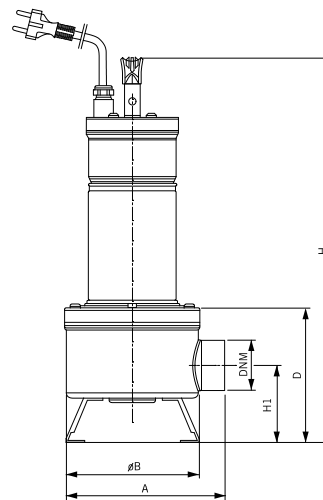
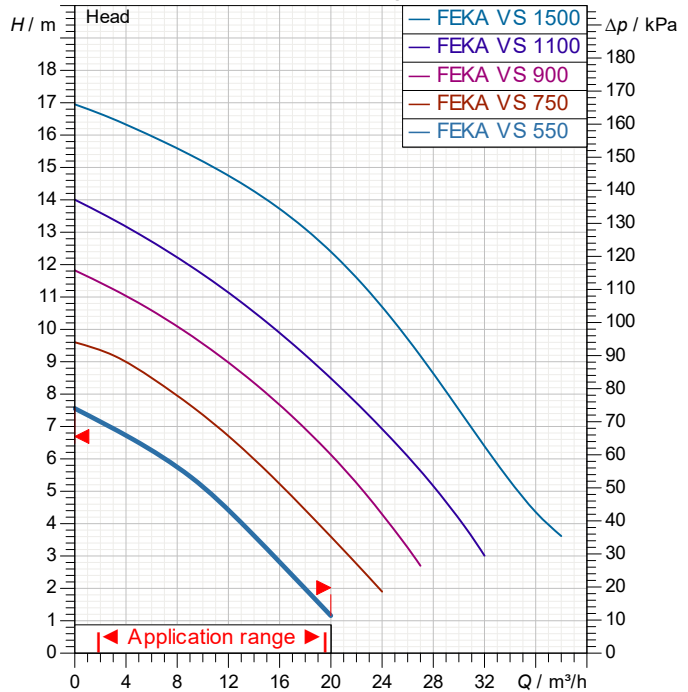
Hydraulic data (duty point)

Flow :
Head :

Materials

Pump body : Stainless Steel AISI 304
Impeller : Stainless Steel AISI 304
Motor casing : Stainless Steel AISI 304
Mechanical seal pump side : Silicon carbide/Silicon carbide
Mechanical seal motor side : Carbon/Alumina
Motor shaft pump side : Stainless Steel AISI 316
Motor shaft motor side : Steel C10

Curve tolerance according to ISO 9906



Motor data

Motor brand : DAB
Max Power input P1 : 0.9 kW
Nominal power P2 : 0.55 kW
Rated speed : 2800 1/min
Rated voltage : 3~ 400 V
Nominal current : 1.8 A
Degree of protection : IP 68

Weight : 12.5 kg

Dimensions in mm

A	203				
B	170				
D	172				
DNM	2" F				
H	475				
H1	98				

Pump connection

Suction side : /
Discharge side : 2" GAS / --



PERFORMANCE CURVES

2026-04-16

Page 2 / 3

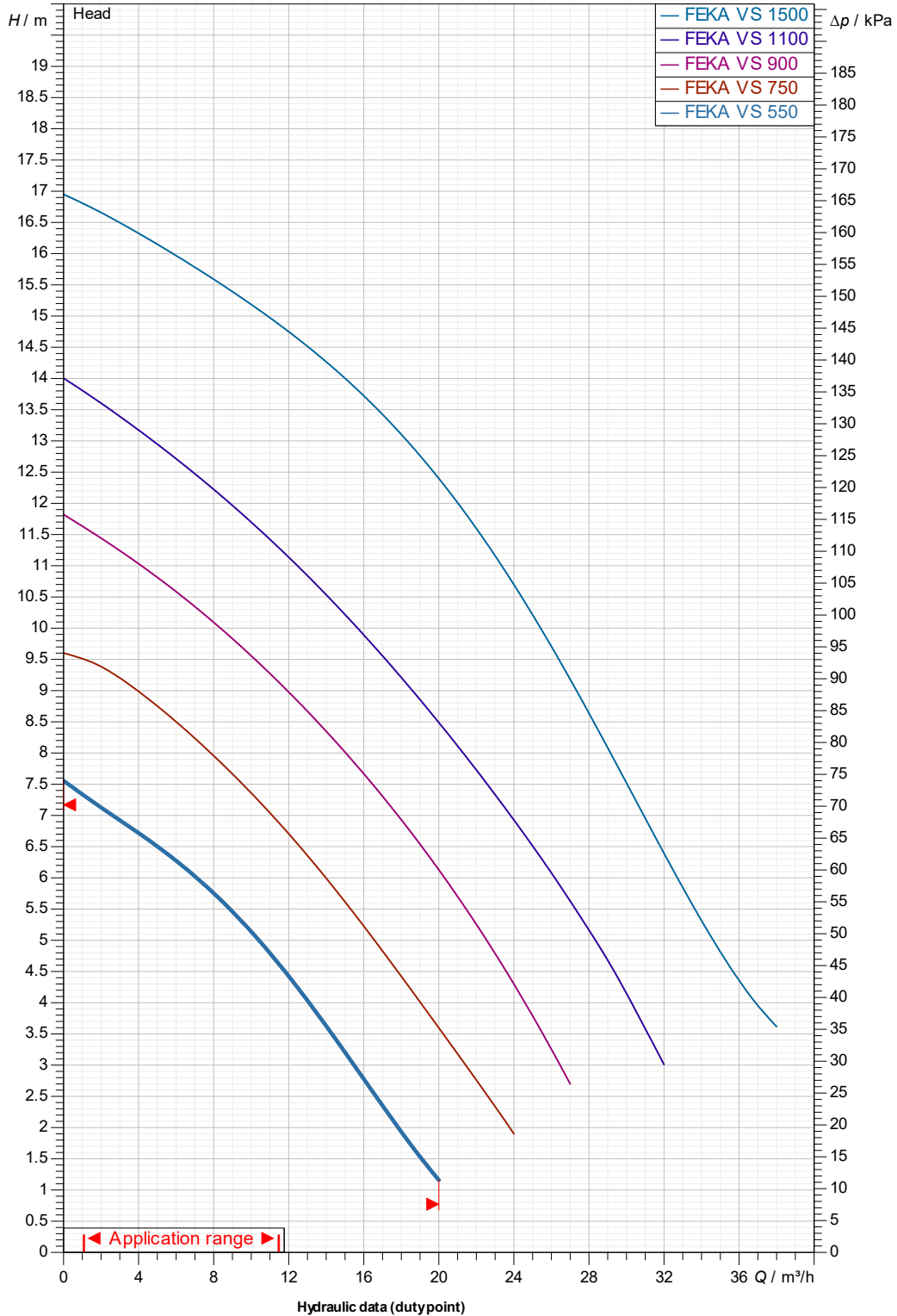
DAB PUMPS S.p.A.
Via Marco Polo, 14 - 35035 Mestrino (PD), Italy
Tel. +39 049 5125000 - Fax +39 049 5125950
www.dabpumps.com

Receiver

Company
Reference
Address
Phone
Fax
E-mail

FEKA VS 550 T - NA

Curve tolerance according to ISO 9906



Suction side :

Discharge side :
2" GAS
--

Flow :

Head :

Rated speed :
2800 1/min

MAIN_PROJECT_TITLE

BUSINESS_PROCESS_ID

OWNER_

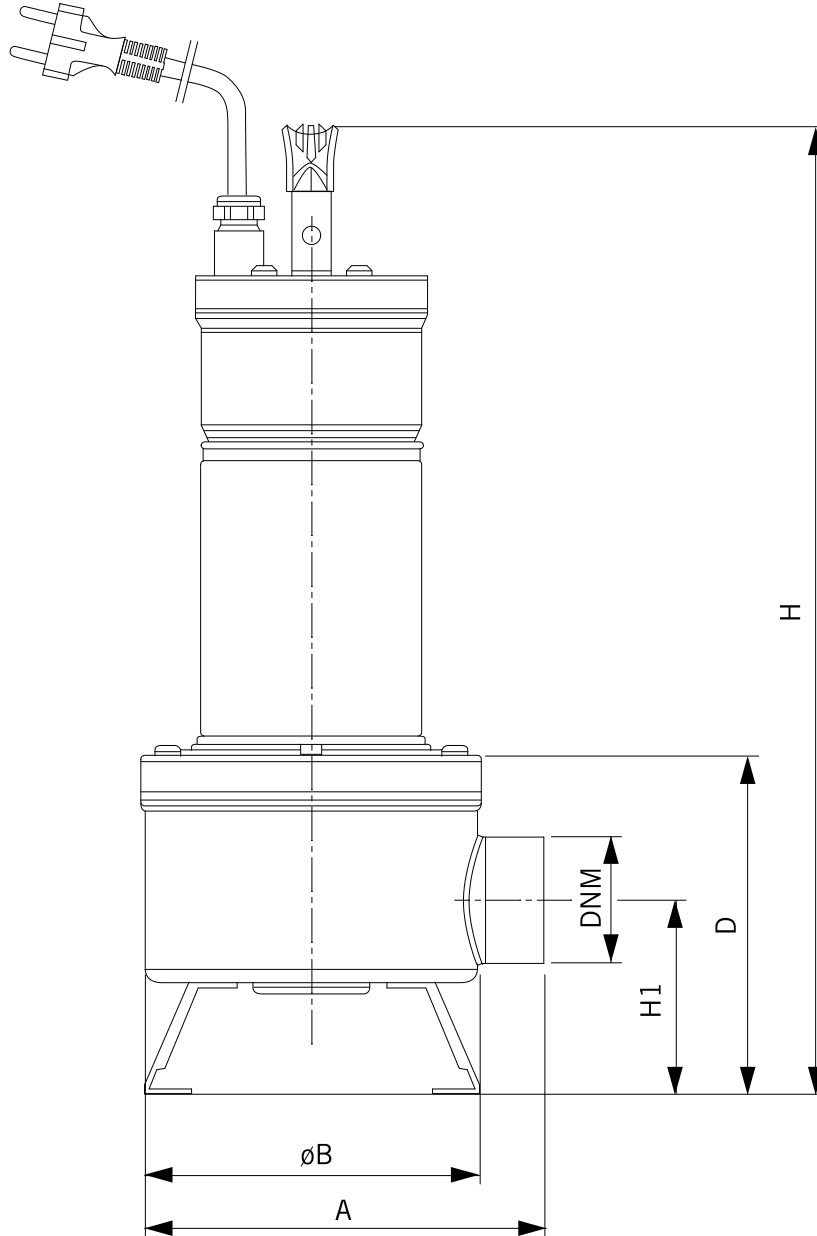
ISSUE_DATE

2026-04-16

Receiver

Company
Reference
Address
Phone
Fax
E-mail

FEKA VS 550 T - NA



Dimensions in mm			Pump connection			
1	A	203				Suction
2	B	170				
3	D	172				
4	DNM	2" F				
5	H	475				
6	H1	98				
7						Discharge 2" GAS --
8						
9						
10						
11						

MAIN_PROJECT_TITLE	BUSINESS_PROCESS_ID	OWNER_	ISSUE_DATE 2026-04-16
--------------------	---------------------	--------	---------------------------------