



PERFORMANCE CURVES

2026-04-17

Page 2 / 3

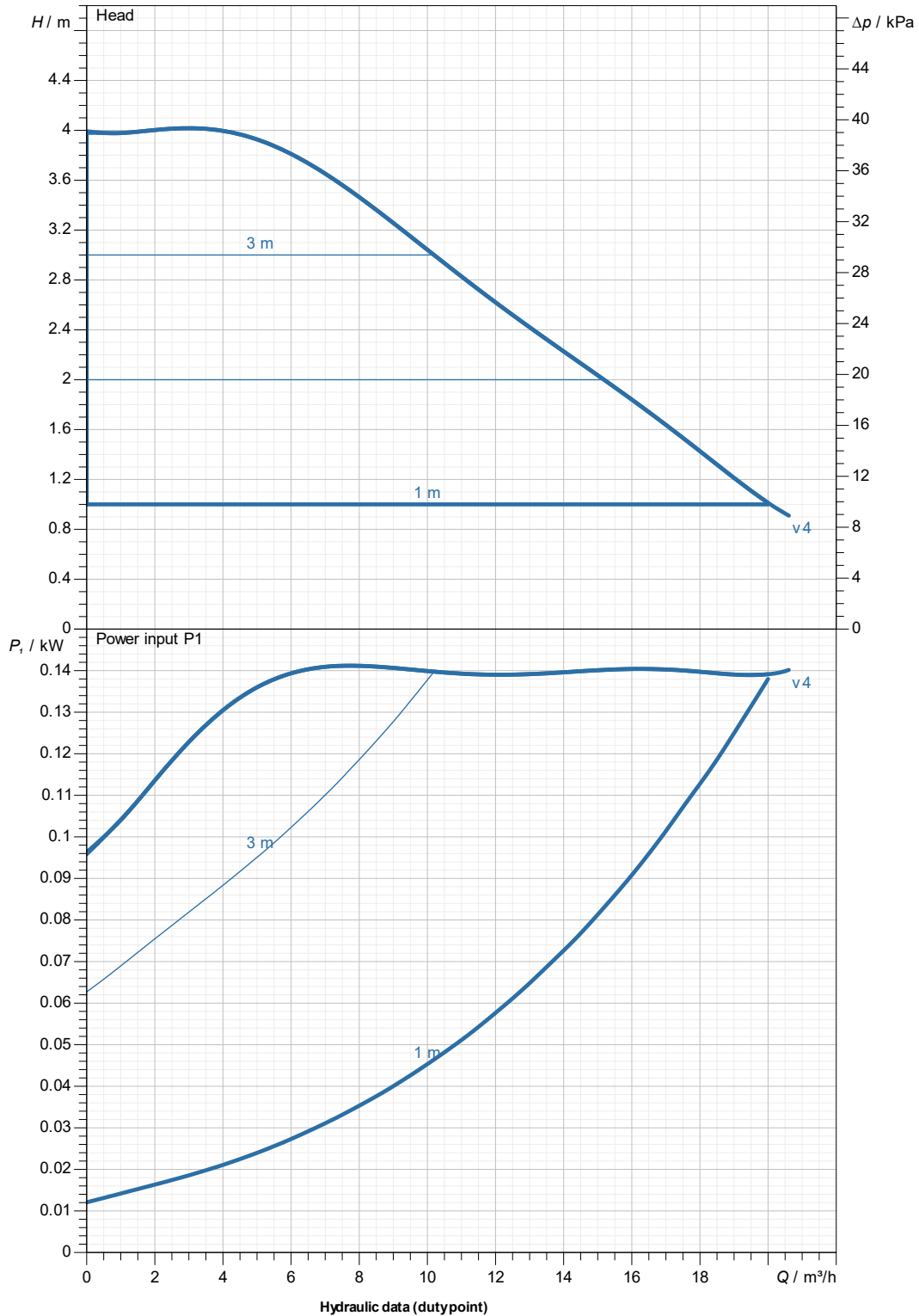
DAB PUMPS S.p.A.
Via Marco Polo, 14 - 35035 Mestrino (PD), Italy
Tel. +39 049 5125000 - Fax +39 049 5125950
www.dabpumps.com

Receiver

Company
Reference
Address
Phone
Fax
E-mail

EVOPLUS B 40/240.50 M

Curve tolerance according to ISO 9906



Suction side :
DN 50
PN6, PN10, PN16

Discharge side :
DN 50
PN6, PN10, PN16

Flow :

Head :

Rated speed :
2900 1/min

MAIN_PROJECT_TITLE

BUSINESS_PROCESS_ID

OWNER_

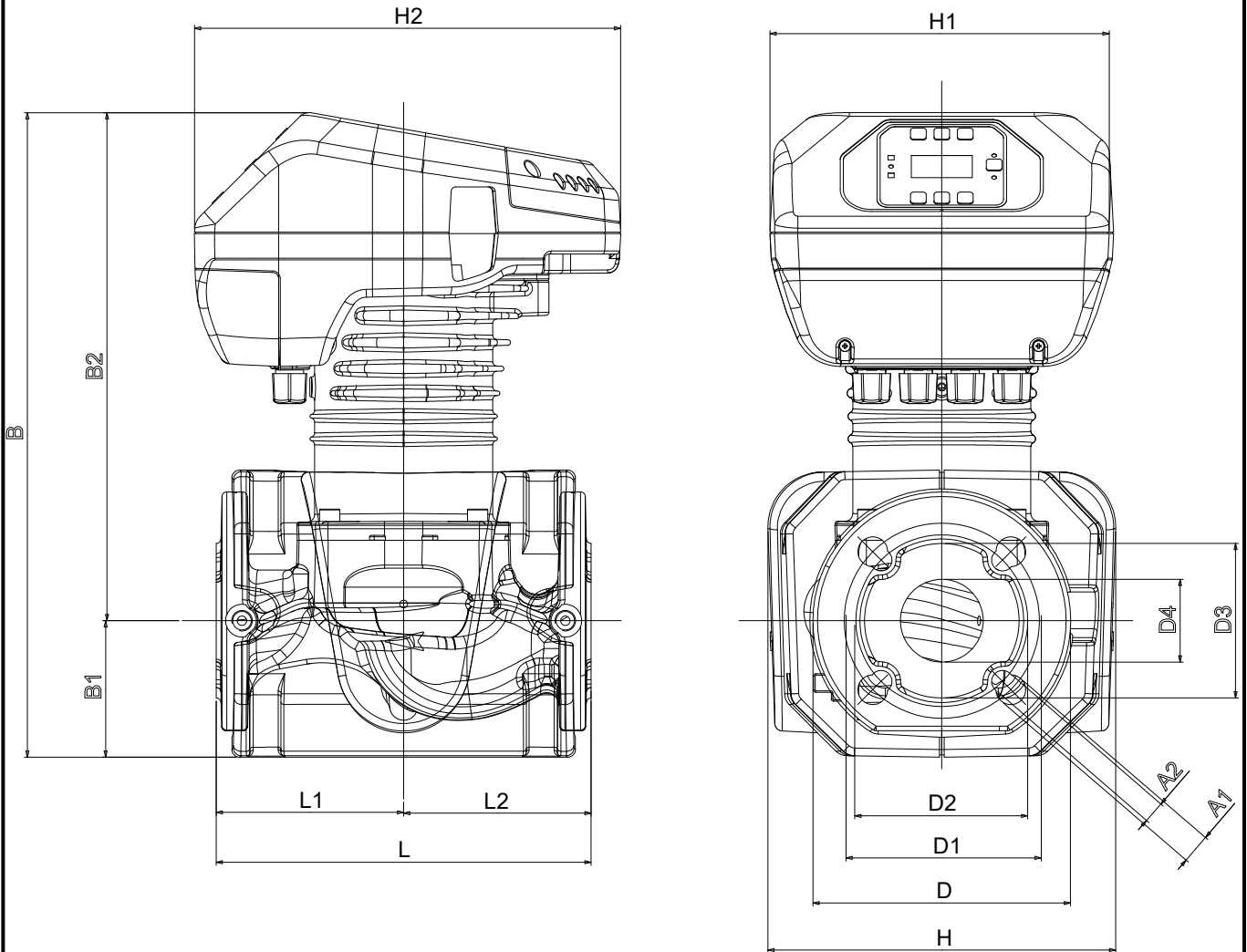
ISSUE_DATE

2026-04-17

Receiver

Company
Reference
Address
Phone
Fax
E-mail

EVOPLUS B 40/240.50 M



Dimensions in mm					Pump connection
1	A1	19	H1	220	Suction DN 50 PN6, PN10, PN16 Discharge DN 50 PN6, PN10, PN16
2	A2	14	H2	273	
3	B	413	L	240	
4	B1	87	L1	120	
5	B2	325	L2	120	
6	D	165			
7	D1	125			
8	D2	110			
9	D3	99			
10	D4	53			
11	H	222			

MAIN_PROJECT_TITLE	BUSINESS_PROCESS_ID	OWNER_	ISSUE_DATE 2026-04-17
--------------------	---------------------	--------	---------------------------------