





WATER • TECHNOLOGY

# PERFORMANCE CURVES

2024-09-10

Page 2 / 3

DAB PUMPS S.p.A.  
Via Marco Polo, 14 - 35035 Mestrino (PD), Italy  
Tel. +39 049 5125000 - Fax +39 049 5125950  
www.dabpumps.com

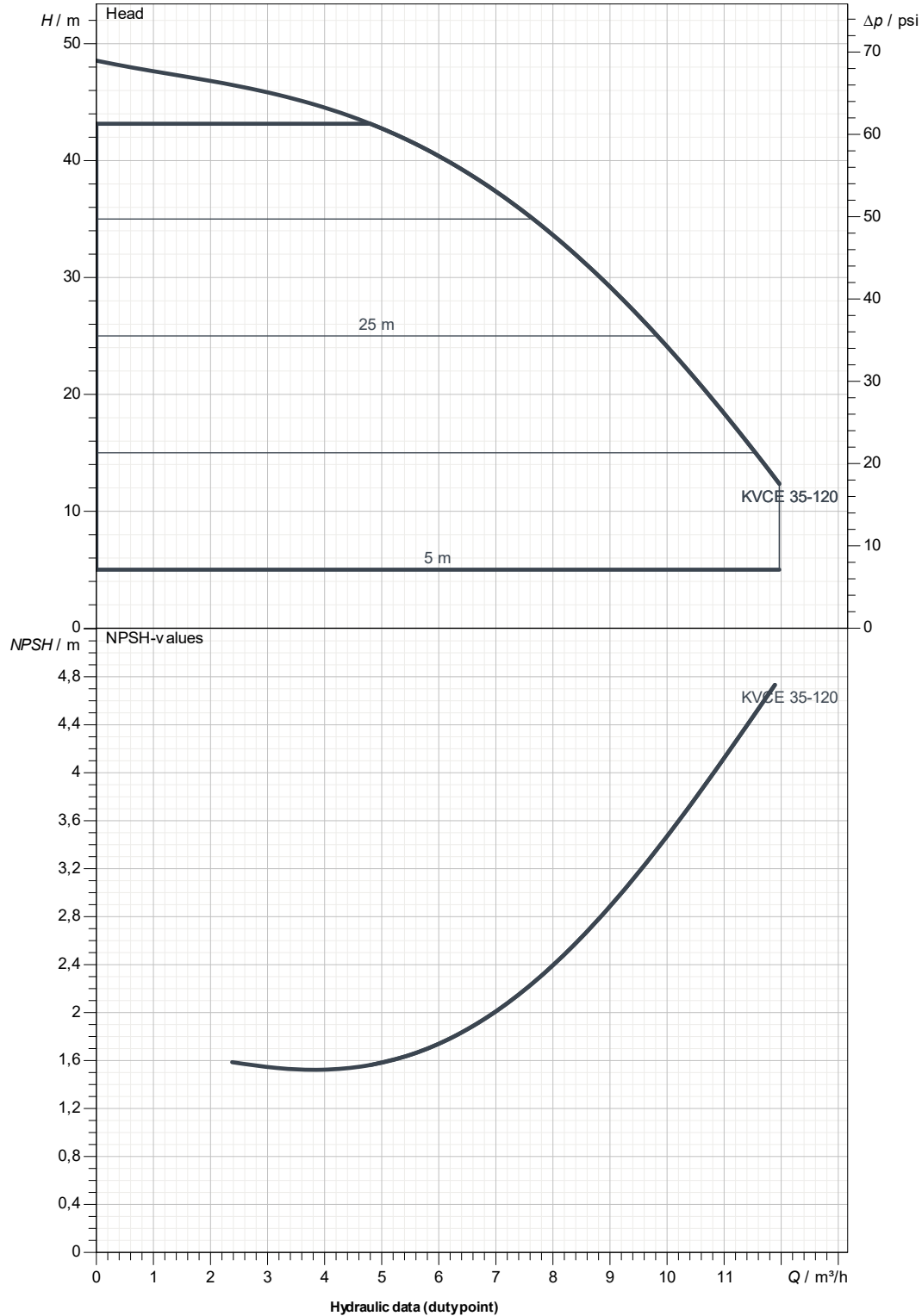
Receiver

From

Company  
Reference  
Address  
Phone  
Fax  
E-mail

## KVCE 35-120 M MCE11/P IE3

Curve tolerance according to ISO 9906



Suction side :  
1" 1/4 G  
174 psi

Discharge side :  
1" 1/4 G  
174 psi

Flow :

Head :

Rated speed :  
2.857 1/min

Project

Project ID

Created by

Created on

2024-09-10



# DIMENSIONAL DRAWING

2024-09-10

Page 3 / 3

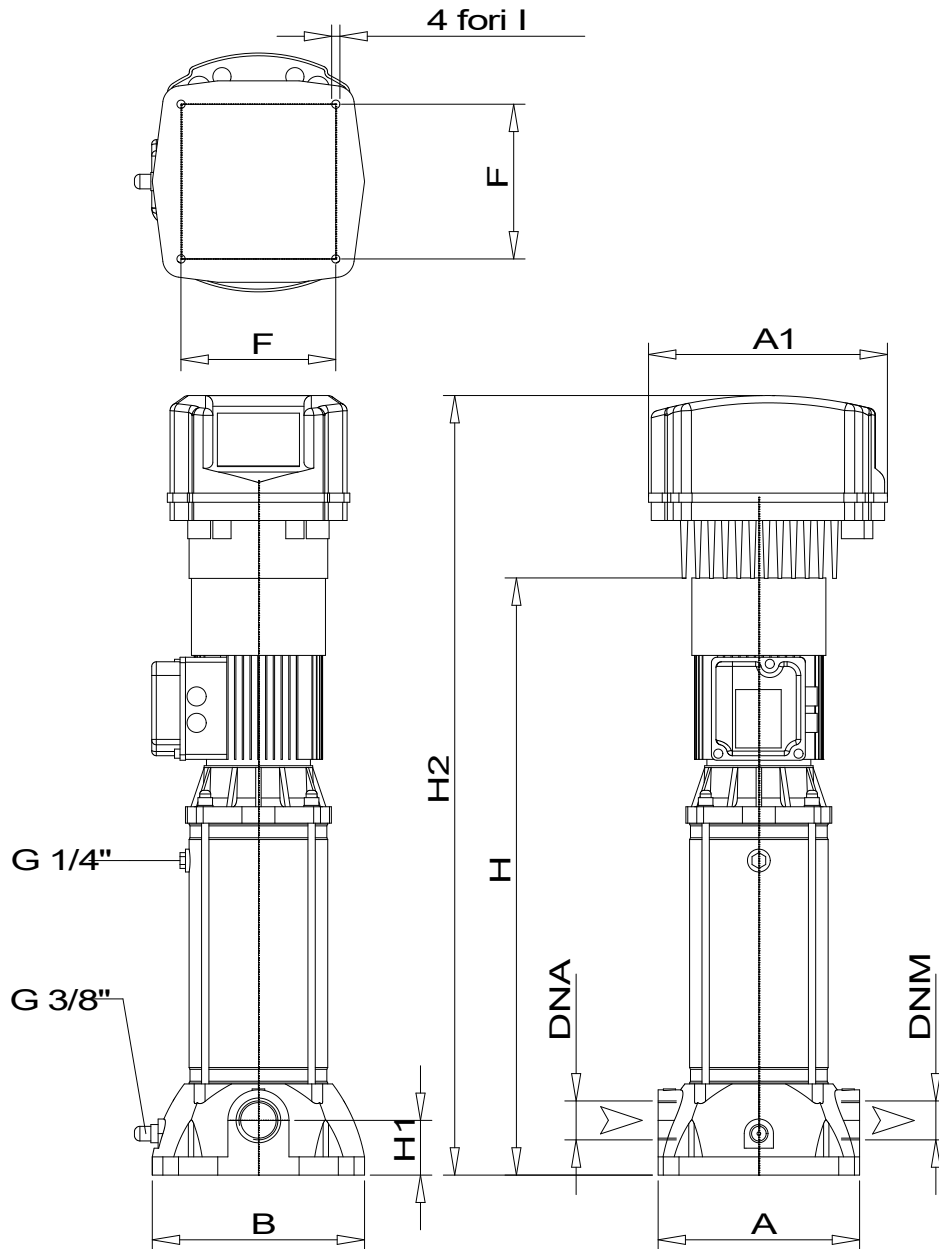
DAB PUMPS S.p.A.  
Via Marco Polo, 14 - 35035 Mestrino (PD), Italy  
Tel. +39 049 5125000 - Fax +39 049 5125950  
www.dabpumps.com

Receiver

From

Company  
Reference  
Address  
Phone  
Fax  
E-mail

## KVCE 35-120 M MCE11/P IE3



**Dimensions in mm**

**Pump connection**

1	A	221					
2	A1	262					Suction
3	B	235					1" 1/4 G
4	DNA	1" 1/4 G					174 psi
5	DNM	1" 1/4 G					
6	F	170					
7	H	505					Discharge
8	H1	60					1" 1/4 G
9	H2	705					174 psi
10	Ø1	9					
11							

Project	Project ID	Created by	Created on <b>2024-09-10</b>
---------	------------	------------	---------------------------------