

Receiver

From

Company
Reference
Address
Phone
Fax
E-mail

Item n° :

60122650

Customer pos. no.:

Model :

2 KVC AD 30/50 M



Pump data

MEI \geq 0,60

Pressure rating : 174 psi

Min. fluid temperature : 0 °C

Max. fluid temperature : 40 °C

Max. Ambient temperature : 40 °C

Degree of protection : IP 55

Requested data

Flow :

Head :

Fluid : Water

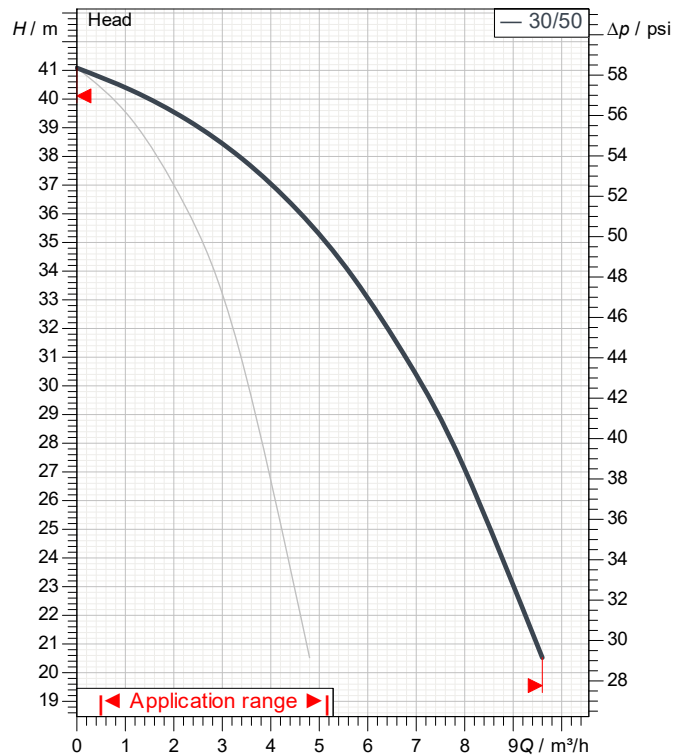
Fluid Temperature : 20 °C

Density : 998,3 kg/m³

Kinematic viscosity : 1,005 mm²/s

Vapor pressure : 0,34 psi

Curve tolerance according to ISO 9906



Hydraulic data (duty point)

Flow :

Head :

Motor data

Brand: DAB

Nominal power P2 : 2 x 0,55 kW

Rated speed : 2.800 1/min

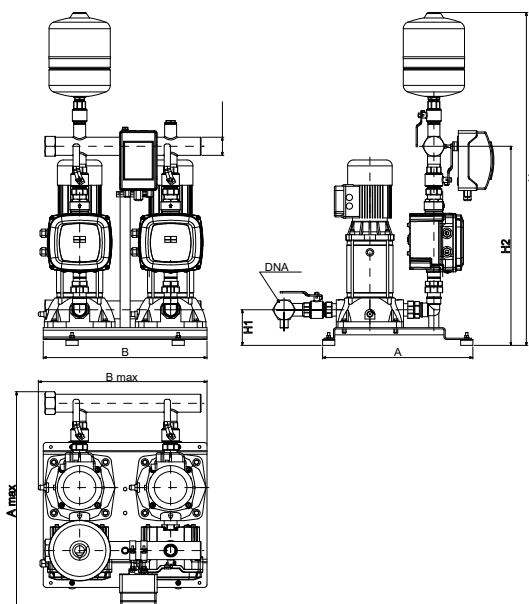
Rated voltage : 1~ 230 V 50 Hz

Nominal current (set) : 2 x 4 A

Degree of protection : IP 55

Dimensions in mm

A	495		
A max	729		
B	540		
B max	556		
DNA	2"		
DNM	2"		
H	1.115		
H1	119		
H2	667		



Weight : 76 kg

Pump connection

Suction side : 2" / 174 psi

Discharge side : 2" / 174 psi



PERFORMANCE CURVES

2024-09-09

Page 2 / 3

DAB PUMPS S.p.A.
Via Marco Polo, 14 - 35035 Mestrino (PD), Italy
Tel. +39 049 5125000 - Fax +39 049 5125950
www.dabpumps.com

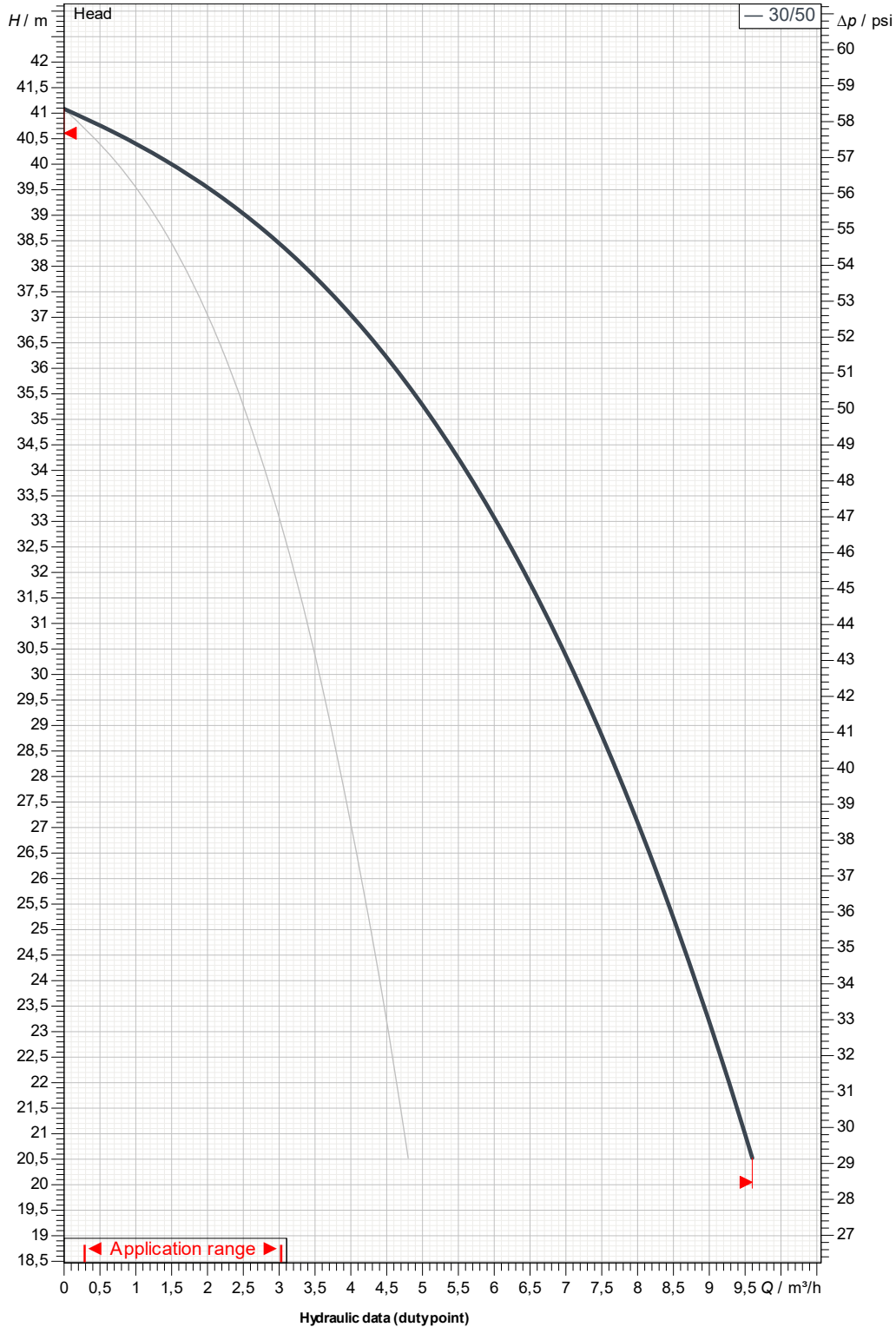
Receiver

From

Company
Reference
Address
Phone
Fax
E-mail

2 KVC AD 30/50 M

Curve tolerance according to ISO 9906



Suction side :
2"
174 psi

Discharge side :
2"
174 psi

Flow :

Head :

Rated speed :
2.800 1/min

Project

Project ID

Created by

Created on

2024-09-09



DIMENSIONAL DRAWING

2024-09-09

Page 3 / 3

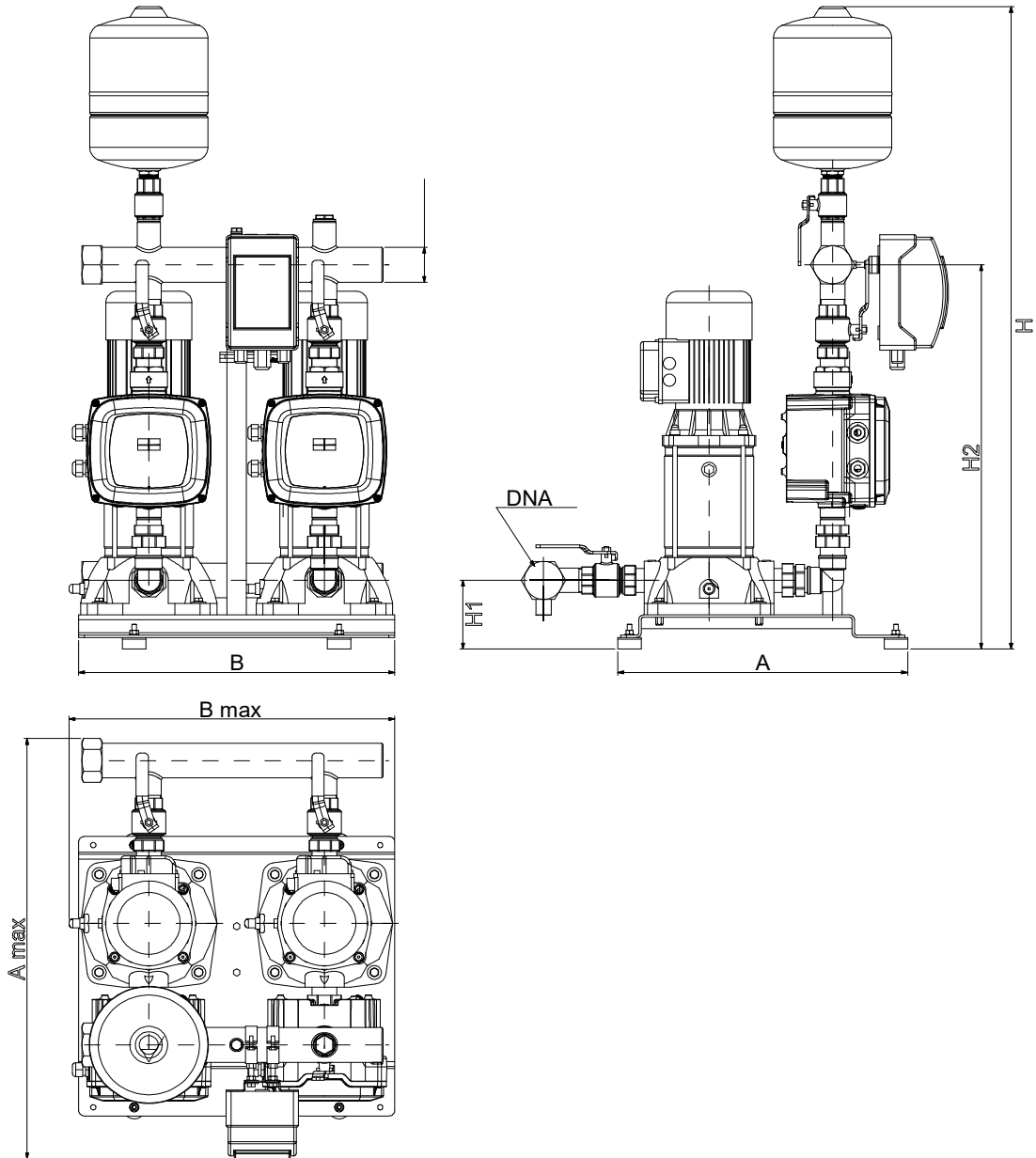
DAB PUMPS S.p.A.
Via Marco Polo, 14 - 35035 Mestrino (PD), Italy
Tel. +39 049 5125000 - Fax +39 049 5125950
www.dabpumps.com

Receiver

From

Company
Reference
Address
Phone
Fax
E-mail

2 KVC AD 30/50 M



Dimensions in mm

Pump connection

1	A	495					
2	A max	729					Suction
3	B	540					2"
4	B max	556					174 psi
5	DNA	2"					
6	DNM	2"					
7	H	1,115					Discharge
8	H1	119					2"
9	H2	667					174 psi
10							
11							

Project

Project ID

Created by

Created on

2024-09-09