

**Receiver**

**From**

Company  
Reference  
Address  
Phone  
Fax  
E-mail

**Item n° :** Customer pos. no.:

60141888

**Model :**

AQUAJET-INOX 132 M-G

**Pump data**

Pressure rating : 116 psi  
Min. fluid temperature : 0 °C  
Max. fluid temperature : 35 °C  
Max. Ambient temperature : 40 °C

**Priming capacity :**

H	m	2	3	4	5	6	7	8	9
Q	m³/h	4,68	4,32	4,02	3,66	3,24	2,76	2,28	1,86

**Requested data**

Flow :  
Head :  
Fluid : Water  
Fluid Temperature : 20 °C  
Density : 998,3 kg/m³  
Kinematic viscosity : 1,005 mm²/s  
Vapor pressure : 0,34 psi

**Hydraulic data (duty point)**

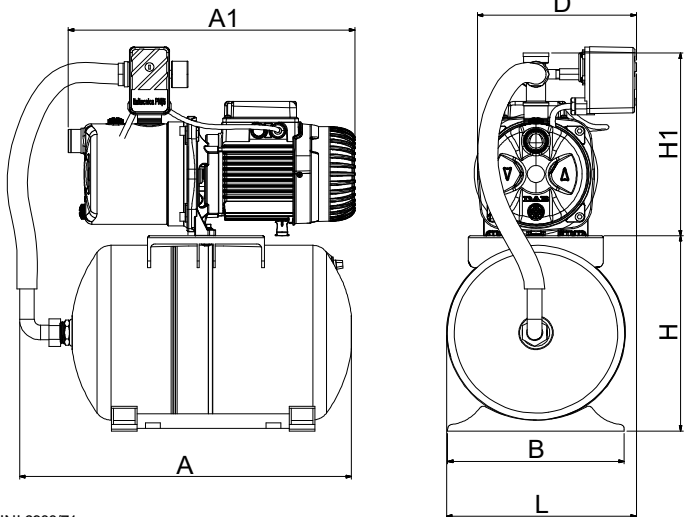
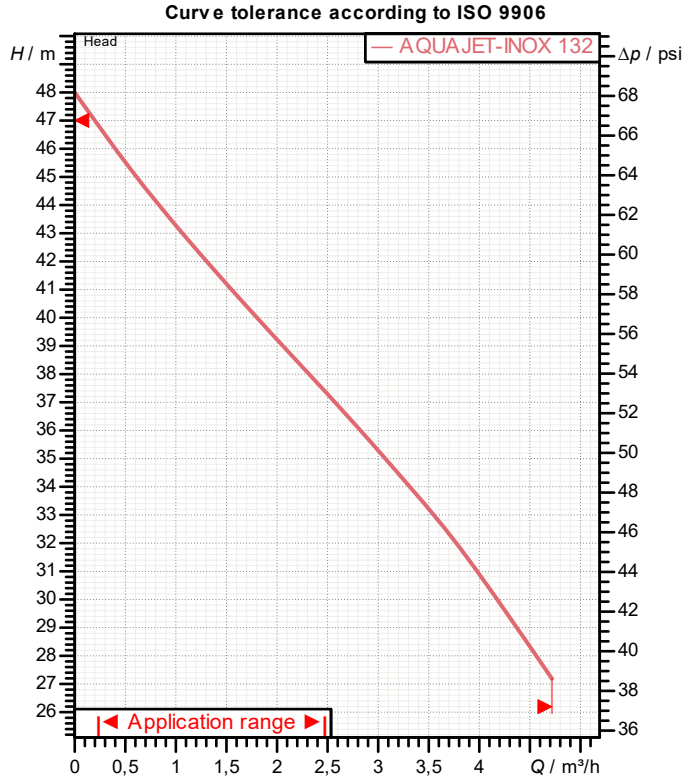
Flow :  
Head :

**Materials**

Pump body : AISI 304 X5 Cr Ni 1810 UNI 6900/71  
Impeller : Technopolymer A  
Shaft with rotor : AISI 303 X10 CrNiS 1809 UNI 6900/71  
O-Ring : NBR Rubber  
Nozzle venturi diffuser assembly : Technopolymer A  
Mechanical seal : Carbon/Ceramic  
Disc seal : AISI 304 X5 Cr Ni 1810 UNI 6900/71

**Motor data**

Motor brand : DAB  
Nominal power P2 : 1 kW  
Rated speed : 2.750 1/min  
Rated voltage : 1~ 230 V  
Nominal current : 6,6 A  
Degree of protection : IP 44



**Dimensions in mm**

A	494	DNA	1" GAS	L	283		
A1	426	DNM	1" GAS				
B	263	H	296				
D	237	H1	277				

**Weight :** 19,5 kg

**Pump connection**

Suction side : 1" G / 116 psi  
Discharge side : 1" G / 116 psi



# PERFORMANCE CURVES

2024-09-09

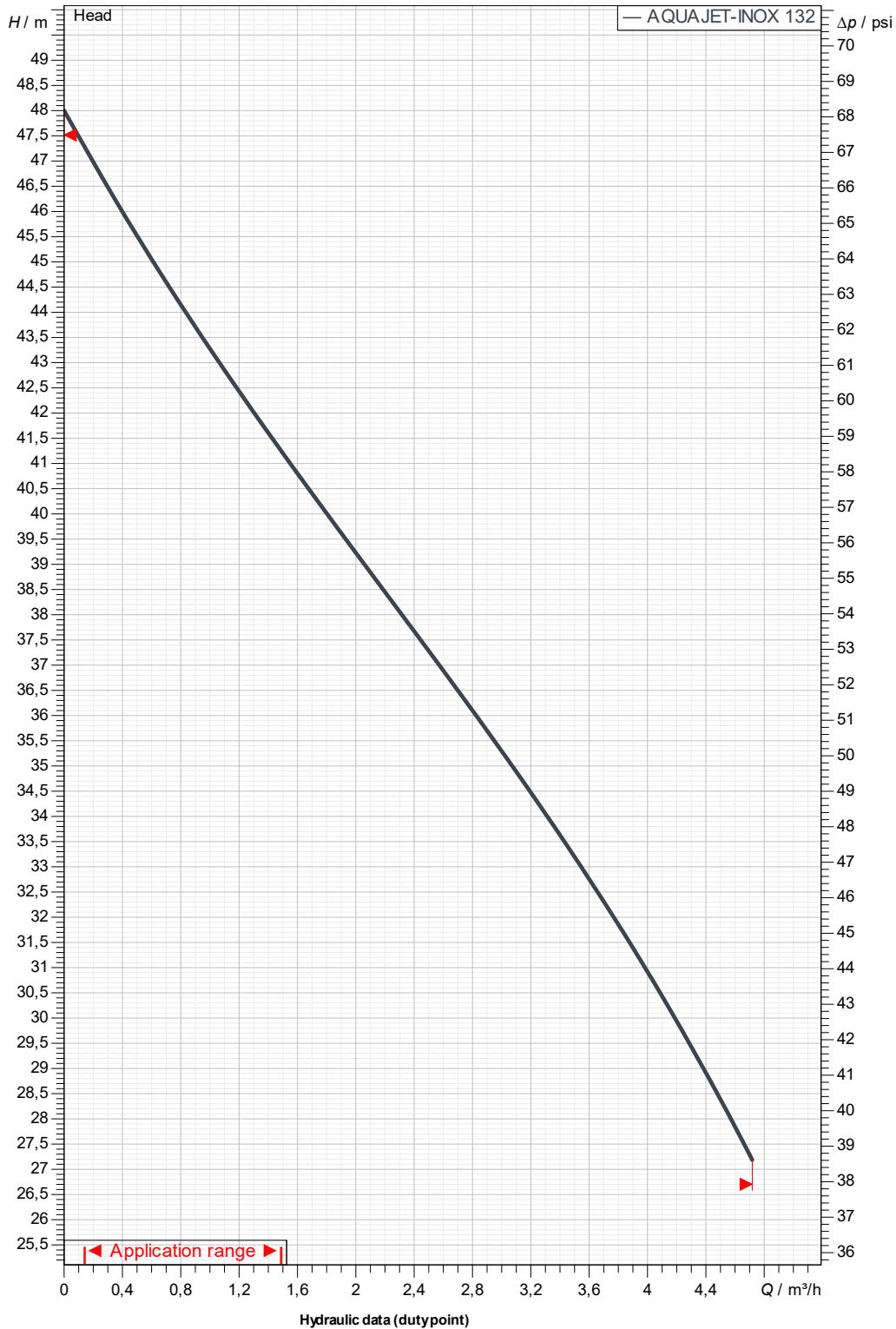
Page 2 / 3

DAB PUMPS S.p.A.  
Via Marco Polo, 14 - 35035 Mestrino (PD), Italy  
Tel. +39 049 5125000 - Fax +39 049 5125950  
www.dabpumps.com

	<b>Receiver</b>	<b>From</b>
Company Reference Address Phone Fax E-mail		

## AQUAJET-INOX 132 M-G

Curve tolerance according to ISO 9906



Suction side : 1" G 116 psi	Discharge side : 1" G 116 psi	Flow :	Head :	Rated speed : 2.750 1/min
Project	Project ID	Created by	Created on <b>2024-09-09</b>	



# DIMENSIONAL DRAWING

2024-09-09

Page 3 / 3

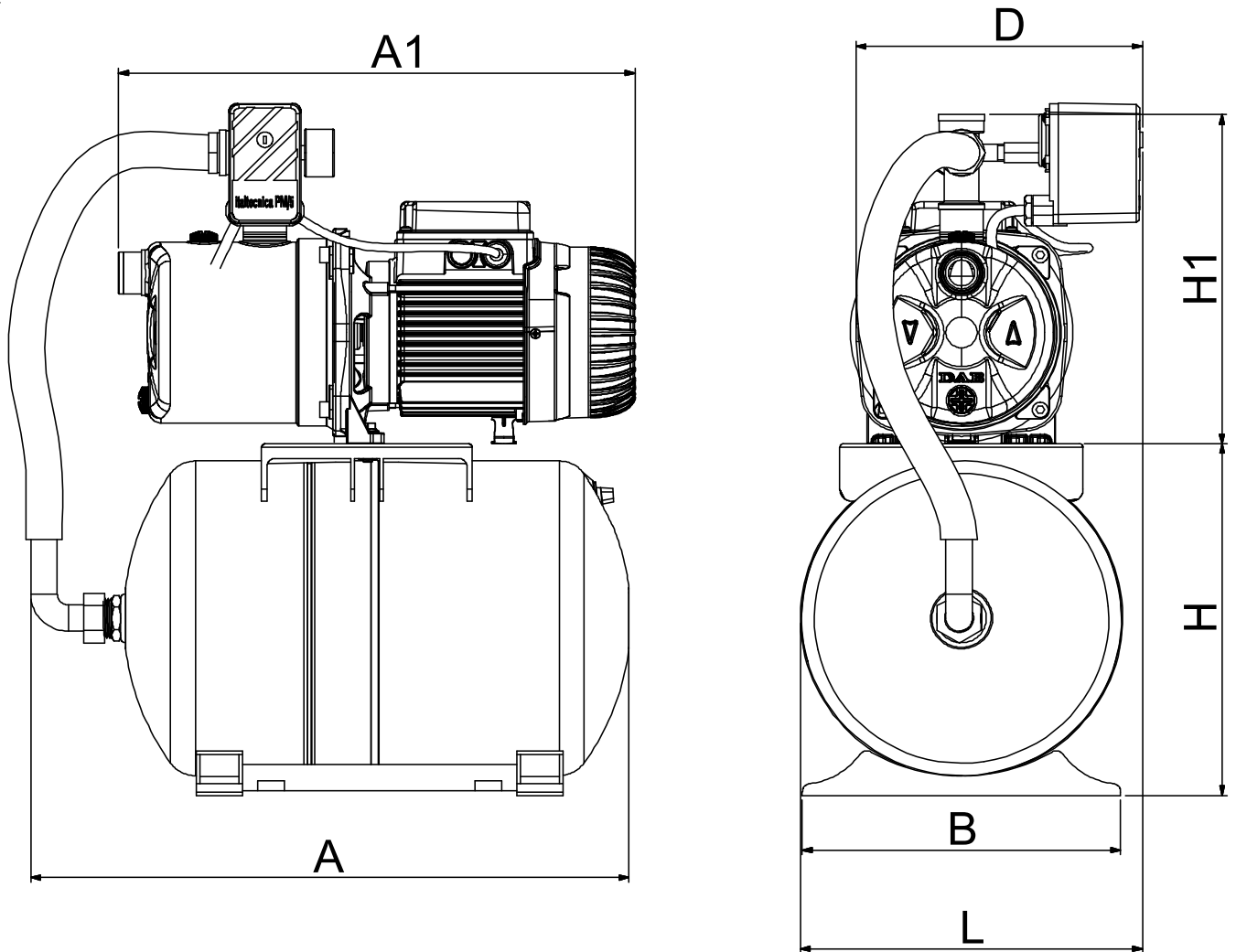
DAB PUMPS S.p.A.  
Via Marco Polo, 14 - 35035 Mestrino (PD), Italy  
Tel. +39 049 5125000 - Fax +39 049 5125950  
www.dabpumps.com

Receiver

From

Company  
Reference  
Address  
Phone  
Fax  
E-mail

## AQUAJET-INOX 132 M-G



### Dimensions in mm

### Pump connection

1	A	494					
2	A1	426					Suction
3	B	263					1" G
4	D	237					116 psi
5	DNA	1" GAS					
6	DNM	1" GAS					
7	H	296					Discharge
8	H1	277					1" G
9	L	283					116 psi
10							
11							

Project

Project ID

Created by

Created on

2024-09-09