

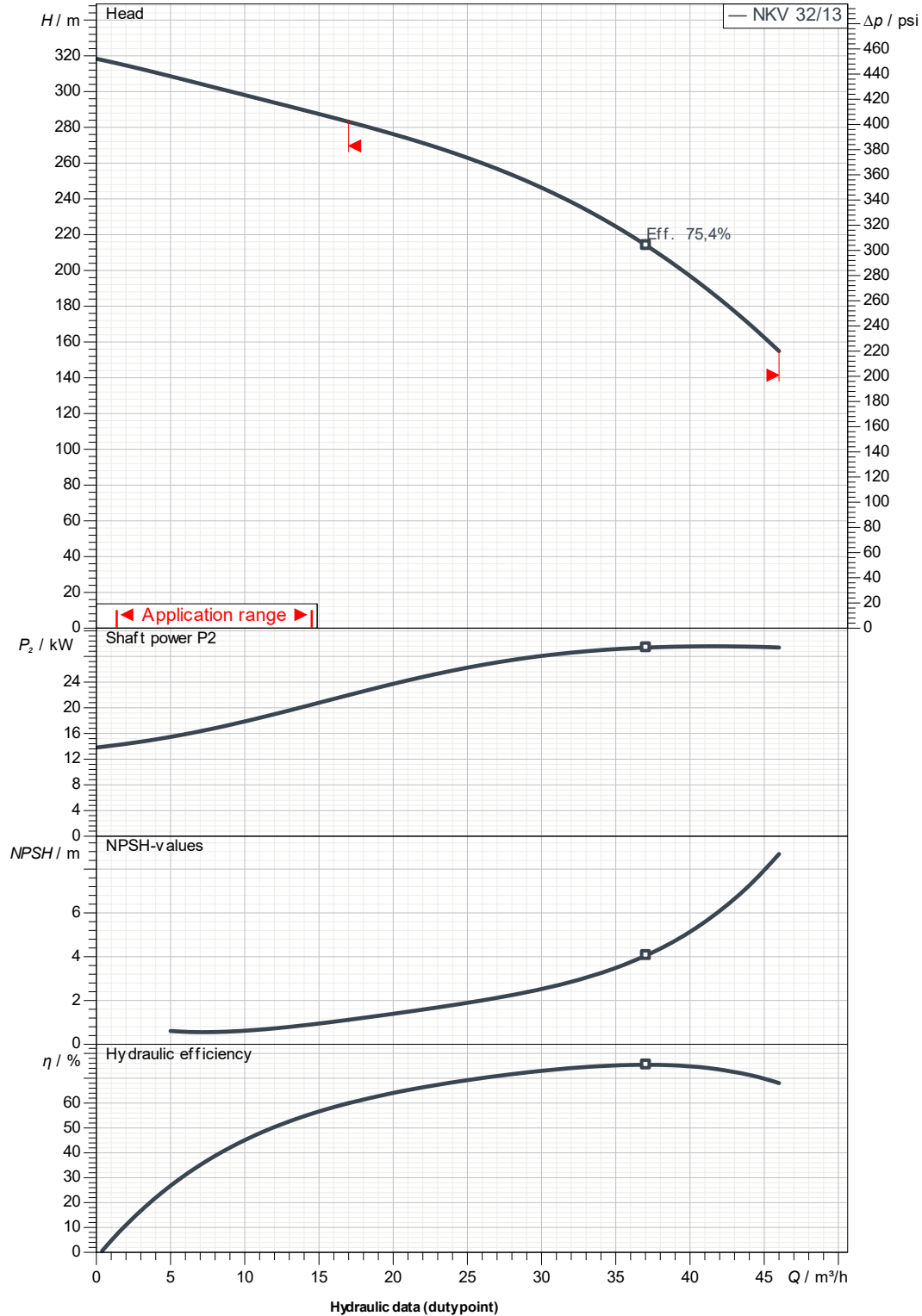
Receiver

From

 Company
 Reference
 Address
 Phone
 Fax
 E-mail

NKV 32/13 T E1 IE3

Curve tolerance according to ISO 9906


 Suction side :
 DN 65
 464,1 psi

 Discharge side :
 DN 65
 464,1 psi

Flow :

Head :

 Rated speed :
 2.950 1/min

Project

Project ID

Created by

Created on

2024-08-21



DIMENSIONAL DRAWING

2024-08-21

Page 3 / 3

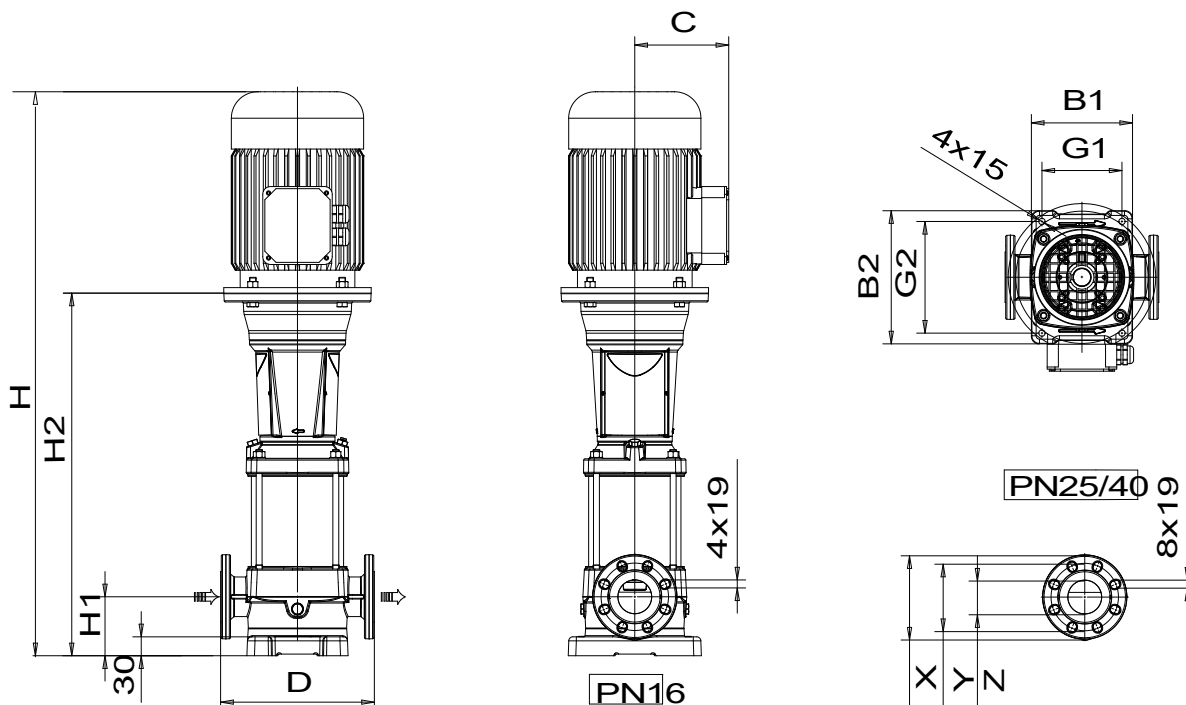
DAB PUMPS S.p.A.
Via Marco Polo, 14 - 35035 Mestrino (PD), Italy
Tel. +39 049 5125000 - Fax +39 049 5125950
www.dabpumps.com

Receiver

From

Company
Reference
Address
Phone
Fax
E-mail

NKV 32/13 T E1 IE3



Dimensions in mm

Pump connection

1	B1	220	X	185		
2	B2	290	Y	145		Suction
3	C	292	Z	65		DN 65
4	D	320				464,1 psi
5	DNA	65				
6	DNM	65				
7	G1	170				Discharge
8	G2	240				DN 65
9	H	2.321				464,1 psi
10	H1	105				
11	H2	1.651				

Project

Project ID

Created by

Created on

2024-08-21