

Receiver

From

Company
Reference
Address
Phone
Fax
E-mail

Item n° : 60122630
Customer pos. no.:

Model :
DIVER 6 600 M-A

Pump data

Pressure rating :
Min. fluid temperature : 0 °C
Max. fluid temperature : 35 °C
Max. Ambient temperature :

Requested data

Flow :
Head :
Fluid : Water
Fluid Temperature : 20 °C
Density : 998,3 kg/m³
Kinematic viscosity : 1,005 mm²/s
Vapor pressure : 0,33938 psi

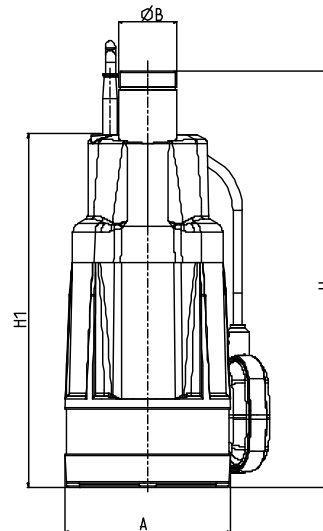
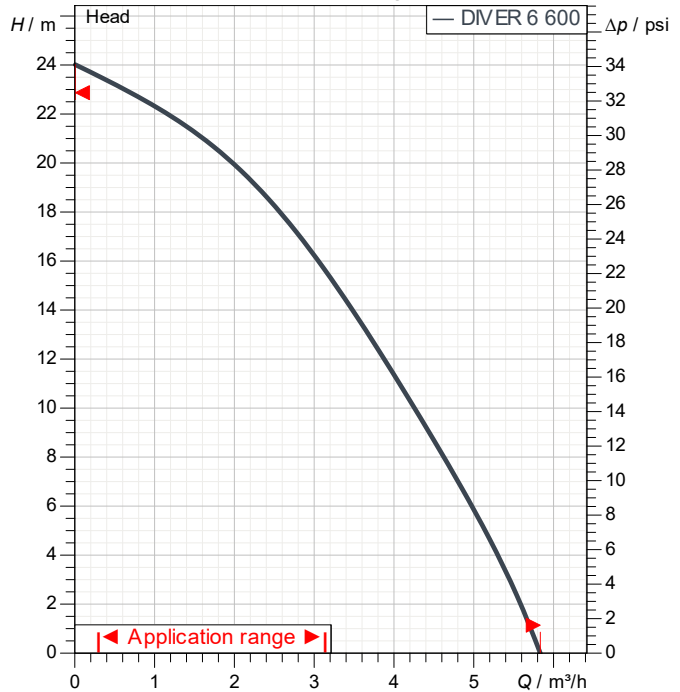
Hydraulic data (duty point)

Flow :
Head :

Materials

Pump body : Technopolymer
Impeller : Technopolymer
Diffuser : Technopolymer
O-Ring : NBR
Suction filter : Stainless Steel AISI 304
Motor shaft : AISI 416
Motor casing : Aluminium

Curve tolerance according to ISO 9906



Motor data

Motor brand : DAB
Nominal power P2 : 0,55 kW
Rated voltage : 1~ 220-240 V 50 Hz
Nominal current : 3 A
Number of poles : 2
Rated speed : 2.800 1/min
Degree of protection : IP 68

Weight : 7,5 kg

Dimensions in mm

Dimension	Value (mm)				
A	150				
B	52				
H	350				
H1	293				

Pump connection

Suction side : /
Discharge side : /



PERFORMANCE CURVES

2024-06-18

Page 2 / 3

DAB PUMPS S.p.A.
Via Marco Polo, 14 - 35035 Mestrino (PD), Italy
Tel. +39 049 5125000 - Fax +39 049 5125950
www.dabpumps.com

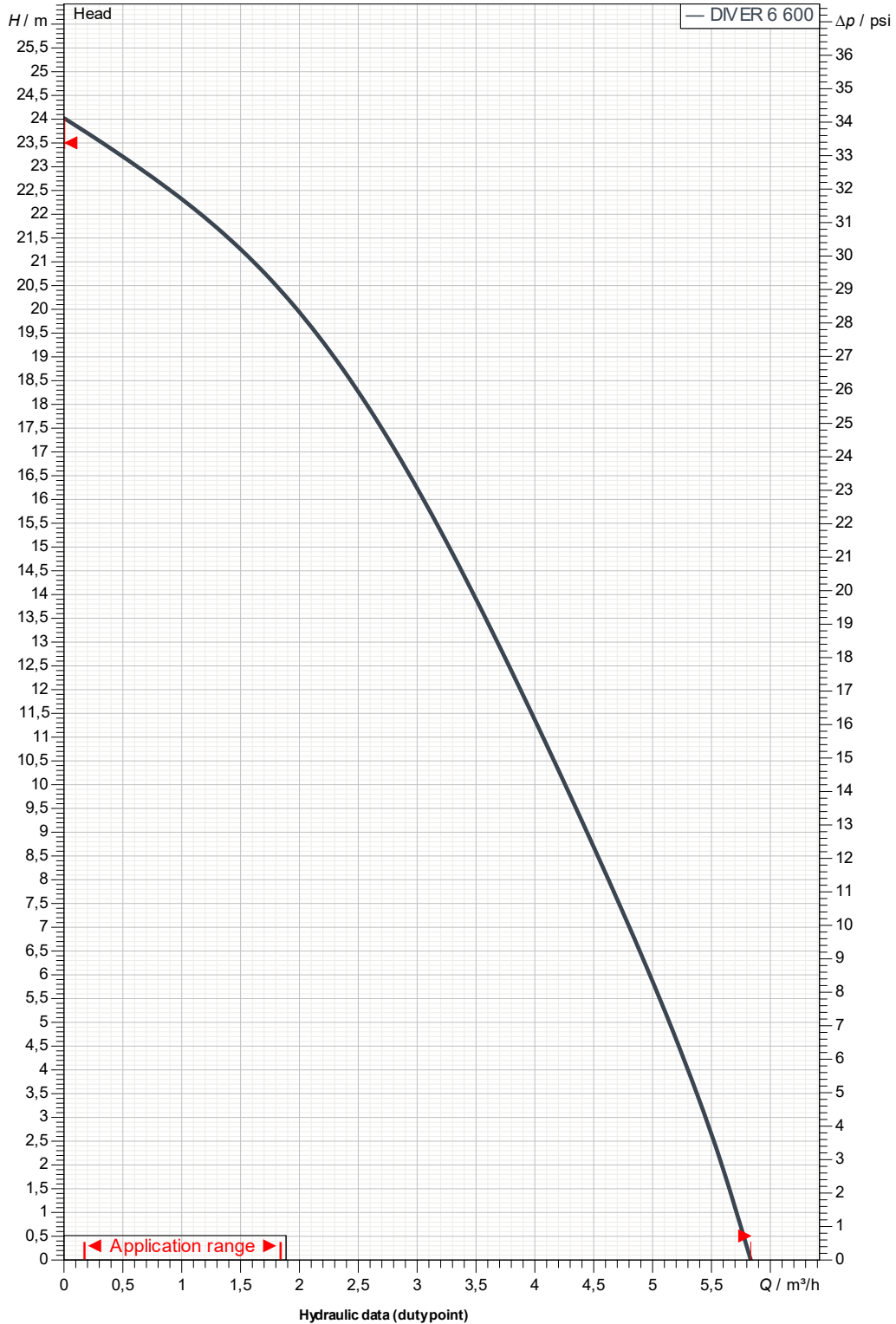
Receiver

From

Company
Reference
Address
Phone
Fax
E-mail

DIVER 6 600 M-A

Curve tolerance according to ISO 9906



Suction side :

Discharge side :

Flow :

Head :

Rated speed :

2.800 1/min

Project

Project ID

Created by

Created on

2024-06-18



DIMENSIONAL DRAWING

2024-06-18

Page 3 / 3

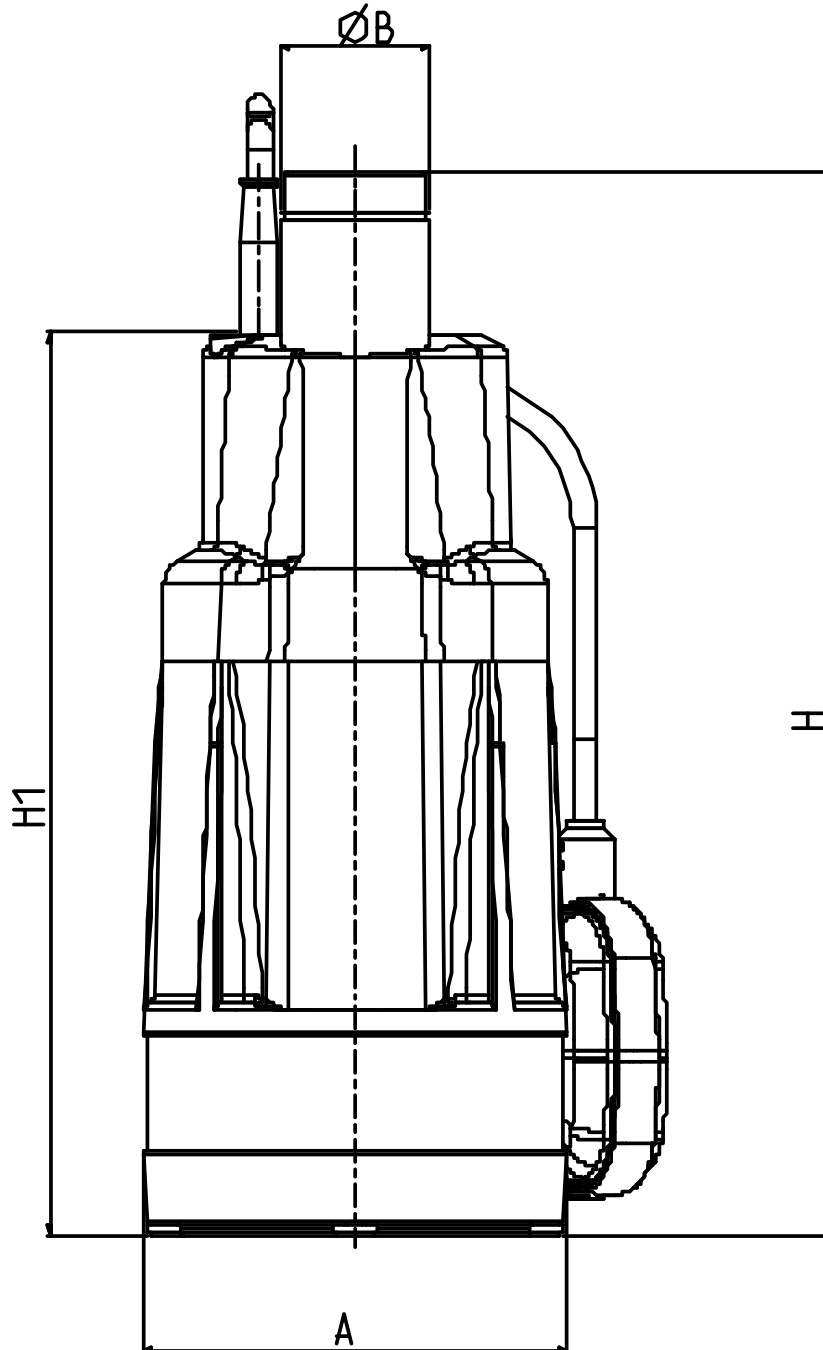
DAB PUMPS S.p.A.
Via Marco Polo, 14 - 35035 Mestrino (PD), Italy
Tel. +39 049 5125000 - Fax +39 049 5125950
www.dabpumps.com

Receiver

From

Company
Reference
Address
Phone
Fax
E-mail

DIVER 6 600 M-A



Dimensions in mm

Pump connection

1	A	150								
2	B	52								Suction
3	H	350								
4	H1	293								
5										
6										
7										Discharge
8										
9										
10										
11										

Project

Project ID

Created by

Created on

2024-06-18