

Receiver

From

Company  
Reference  
Address  
Phone  
Fax  
E-mail

**Item n° :** 60196306  
**Customer pos. no.:**

**Model :**  
NOVA 600 T-NA 40th - 10m

**Pump data**

Free passage : 10 mm  
Aspiration level minimum : 30 mm  
Max. immersion depth : 7 m  
Min. fluid temperature : 0 °C  
Max. fluid temperature : 35 °C

**Requested data**

Flow :  
Head :  
Fluid : Water  
Fluid Temperature : 20 °C  
Density : 998,3 kg/m³  
Kinematic viscosity : 1,005 mm²/s  
Vapor pressure : 0,33938 psi

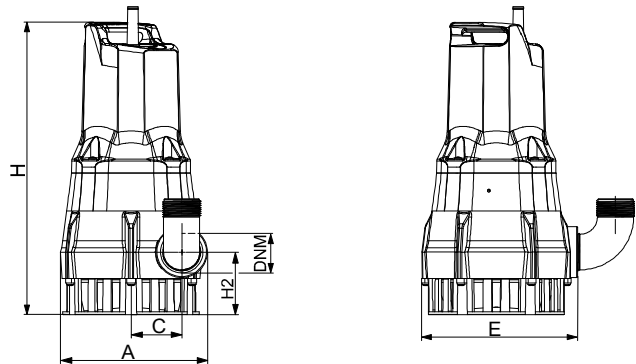
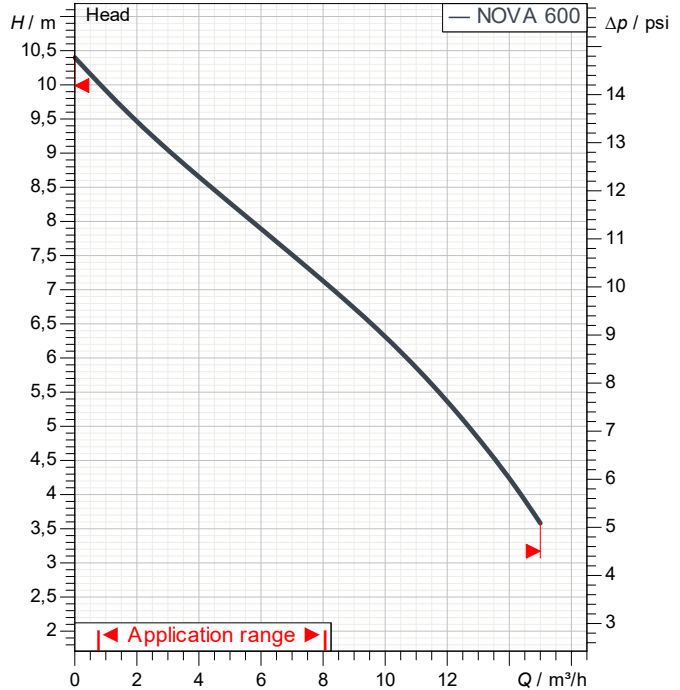
**Hydraulic data (duty point)**

Flow :  
Head :

**Materials**

Pump body : Technopolymer  
Impeller : Technopolymer  
O-Ring : NBR Rubber  
Rotor shaft : Stainless Steel AISI 431  
Suction strainer : Technopolymer  
Motor top body : AISI 304 X5 Cr Ni 1810 UNI 6900/71

Curve tolerance according to ISO 9906



**Motor data**

**Weight :** 7 kg

Motor brand : DAB  
Nominal power P2 : 0,5 kW  
Rated voltage : 3~ 400 V 50 Hz  
Nominal current : 1,7 A  
Degree of protection : IP 68  
Cable length m : 10

**Dimensions in mm**

A	163				
C	56				
DNM	1"1/4 G				
E	174				
H	329				
H2	71				

**Pump connection**

Suction side : /  
Discharge side : 1" 1/4 GAS / --



# PERFORMANCE CURVES

2024-06-11

Page 2 / 3

DAB PUMPS S.p.A.  
Via Marco Polo, 14 - 35035 Mestrino (PD), Italy  
Tel. +39 049 5125000 - Fax +39 049 5125950  
www.dabpumps.com

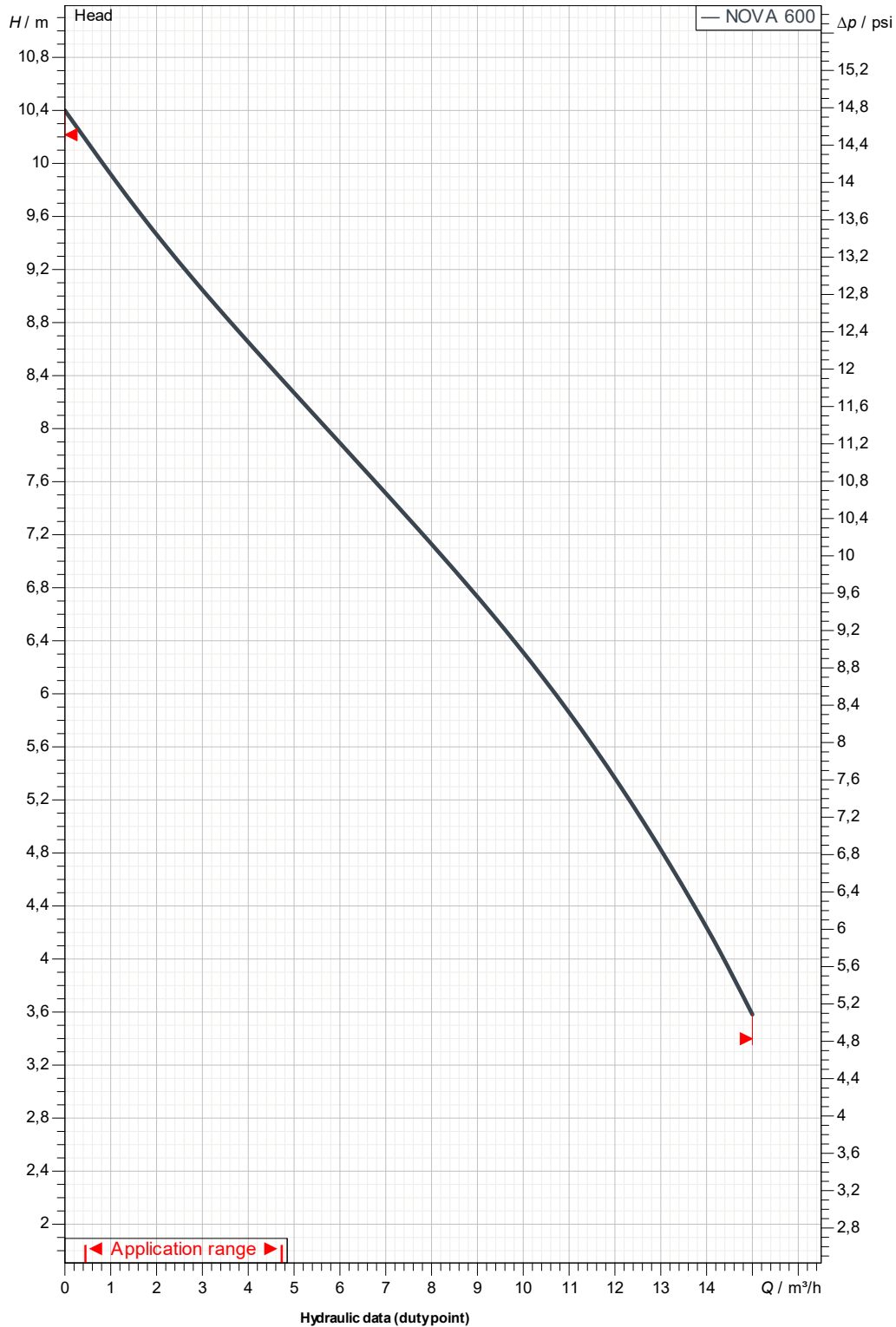
Receiver

From

Company  
Reference  
Address  
Phone  
Fax  
E-mail

## NOVA 600 T-NA 40th - 10m

Curve tolerance according to ISO 9906



Suction side :

Discharge side :  
1" 1/4 GAS  
--

Flow :

Head :

Rated speed :  
2.900 1/min

MAIN\_PROJECT\_TITLE

BUSINESS\_PROCESS\_ID

OWNER\_

ISSUE\_DATE

2024-06-11



# DIMENSIONAL DRAWING

2024-06-11

Page 3 / 3

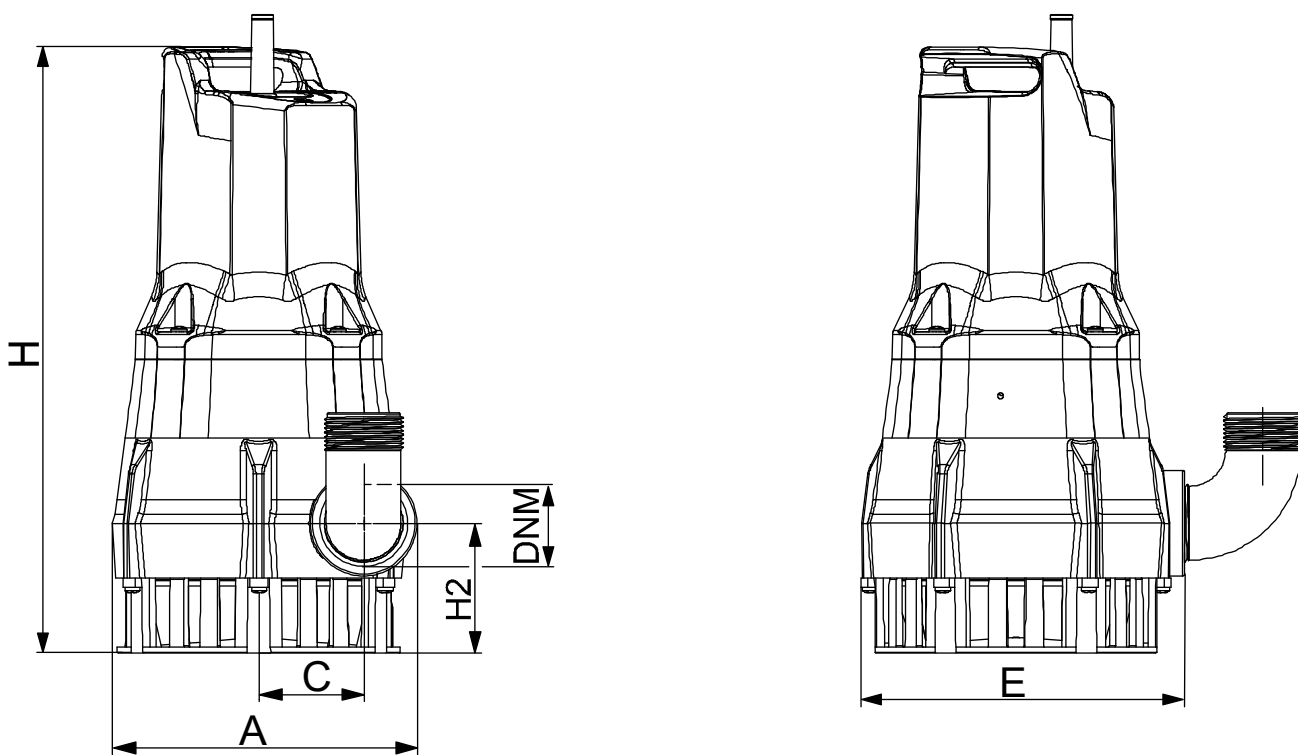
DAB PUMPS S.p.A.  
Via Marco Polo, 14 - 35035 Mestrino (PD), Italy  
Tel. +39 049 5125000 - Fax +39 049 5125950  
www.dabpumps.com

Receiver

From

Company  
Reference  
Address  
Phone  
Fax  
E-mail

## NOVA 600 T-NA 40th - 10m



Dimensions in mm			Pump connection			
1	A	163				Suction
2	C	56				
3	DNM	1"1/4 G				
4	E	174				
5	H	329				
6	H2	71				
7						Discharge
8						
9						
10						
11						

MAIN_PROJECT_TITLE	BUSINESS_PROCESS_ID	OWNER_	ISSUE_DATE 2024-06-11
--------------------	---------------------	--------	--------------------------