

Receiver

From

Company  
Reference  
Address  
Phone  
Fax  
E-mail

**Item n° :** 60165319  
**Customer pos. no.:**

**Model :**  
GENIX 110

**Pump data**

Min. fluid temperature : 0 °C  
Max. fluid temperature : 50 °C  
Max. Ambient temperature : 25 °C  
Min. Temperature operating : 5 °C  
MaxFlow : 6,9 m³/h  
Max Head : 8 m  
Max Head (EN12050-3) : 6 m

**Requested data**

Flow :  
Head :  
Fluid : Water  
Fluid Temperature : 20 °C  
Density : 998,3 kg/m³  
Kinematic viscosity : 1,005 mm²/s  
Vapor pressure : 0,33938 psi

**Hydraulic data (duty point)**

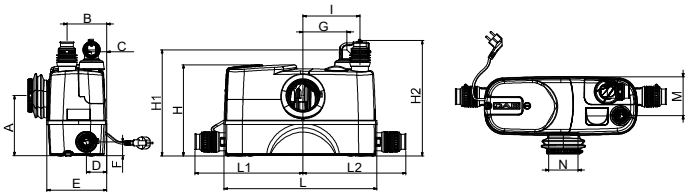
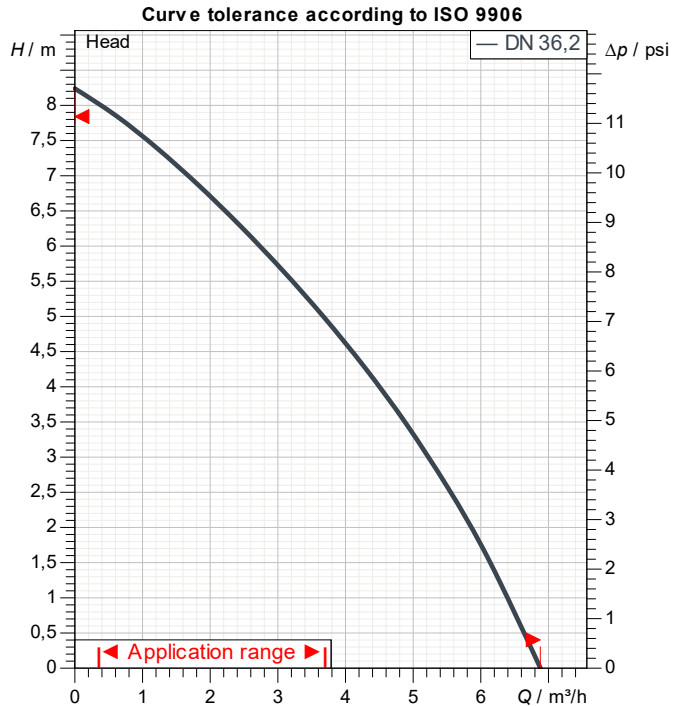
Flow :  
Head :

**Materials**

Impeller : Polypropylene 30% fiber glass  
Tank : Polypropylene 15% Barium  
Shaft : Stainless steel  
Cover : Stainless steel  
Grinder : AISI 304/420  
Soundproofing (COMFORT) : Polypropylene 70% Barium  
O-Ring : NBR

**Motor data**

Motor brand : DAB  
Nominal power P2 : 0,32 kW  
Rated speed : 2.900 1/min  
Rated voltage : 1~ 230 V  
Nominal current : 2,3 A  
Degree of protection : IP 44



**Weight :** 10,3 kg

**Dimensions in mm**

A	183	G	178	M	118		
B	118	H	277	N	87		
C	45	H1	323				
D	-	H2	351				
E	178	I	170				
F	-	L	456				

**Pump connection**

DN 22/25/28/32/36/40



# PERFORMANCE CURVES

2024-09-24

Page 2 / 3

DAB PUMPS S.p.A.  
Via Marco Polo, 14 - 35035 Mestrino (PD), Italy  
Tel. +39 049 5125000 - Fax +39 049 5125950  
www.dabpumps.com

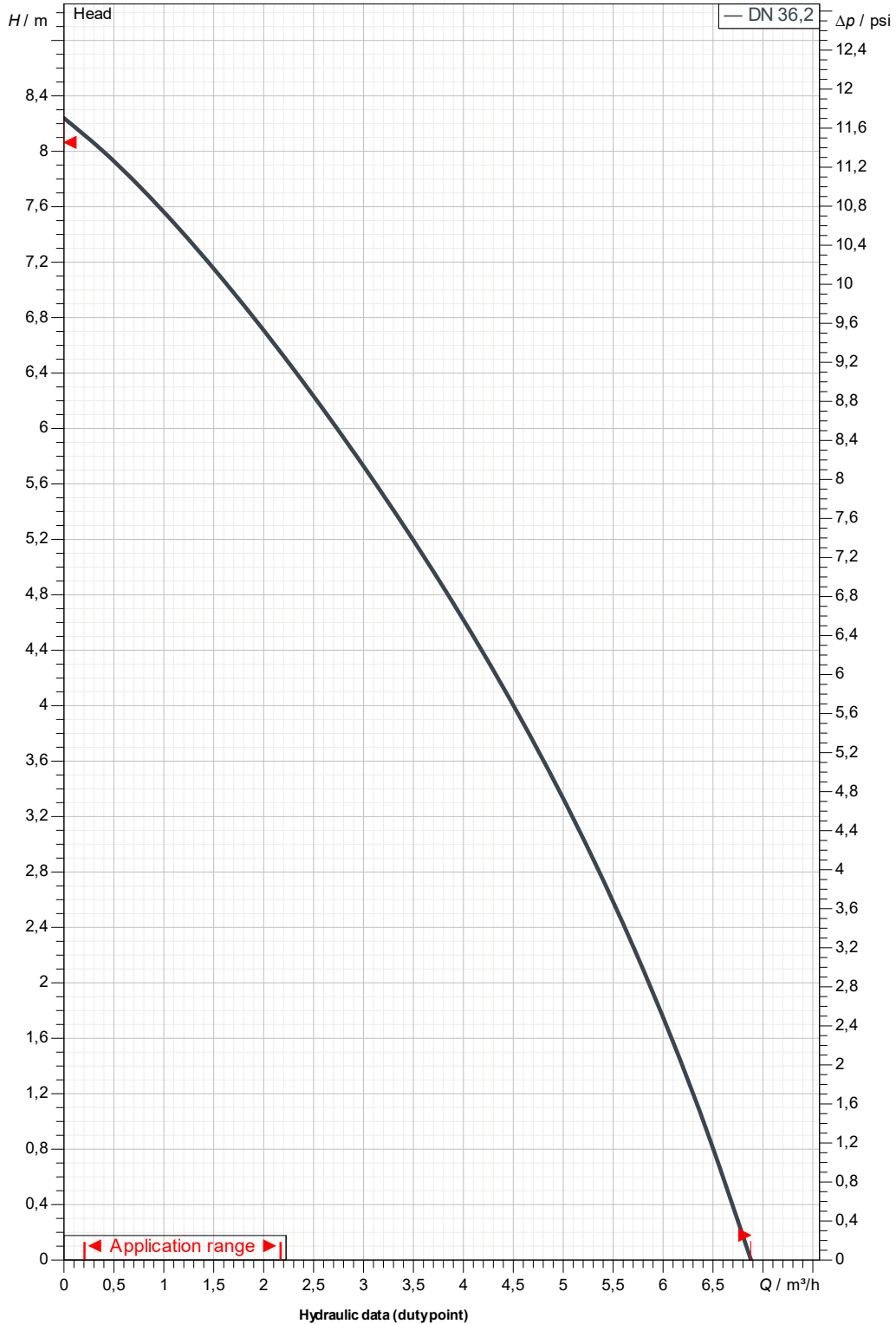
Receiver

From

Company  
Reference  
Address  
Phone  
Fax  
E-mail

## GENIX 110

Curve tolerance according to ISO 9906



Suction side :

Discharge side :

Flow :

Head :

Rated speed :

2.900 1/min

MAIN\_PROJECT\_TITLE

BUSINESS\_PROCESS\_ID

OWNER\_

ISSUE\_DATE

2024-09-24



# DIMENSIONAL DRAWING

2024-09-24

Page 3 / 3

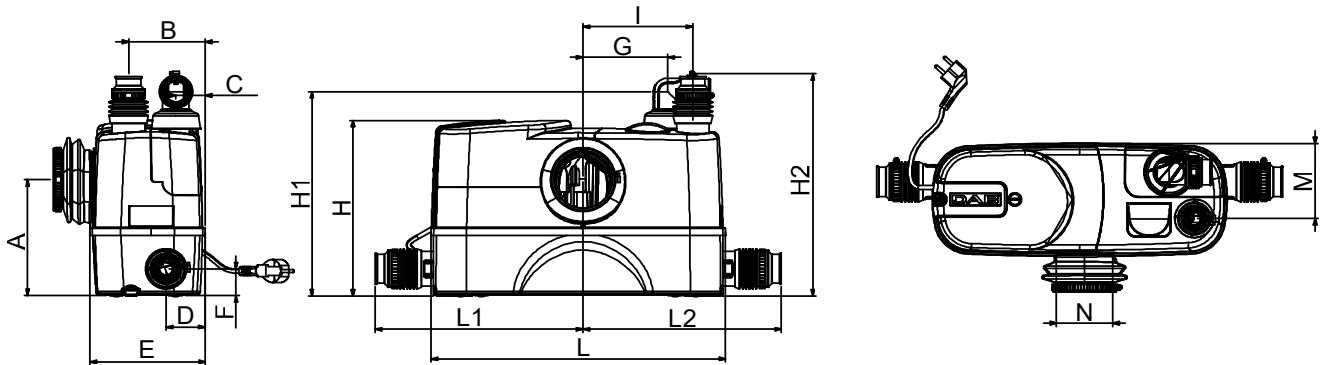
DAB PUMPS S.p.A.  
Via Marco Polo, 14 - 35035 Mestrino (PD), Italy  
Tel. +39 049 5125000 - Fax +39 049 5125950  
www.dabpumps.com

Receiver

From

Company  
Reference  
Address  
Phone  
Fax  
E-mail

## GENIX 110



**Dimensions in mm**

**Pump connection**

1	A	183	L	456	Suction        Discharge
2	B	118	M	118	
3	C	45	N	87	
4	D	-			
5	E	178			
6	F	-			
7	G	178			
8	H	277			
9	H1	323			
10	H2	351			
11	I	170			

MAIN_PROJECT_TITLE	BUSINESS_PROCESS_ID	OWNER_	ISSUE_DATE 2024-09-24
--------------------	---------------------	--------	--------------------------